



EN: This product is only suitable for well insulated spaces or occasional use.

FR: Ce produit ne peut être utilisé que dans des locaux bien isolés ou de manière occasionnelle.

DE: Dieses Produkt ist nur für gut isolierte Räume oder gelegentlichen Gebrauch geeignet.

IT: Questo prodotto è adatto solo per spazi ben isolati o uso occasionale

ES: Producto indicado para ser usado en espacios correctamente aislados. En caso contrario su utilización deberá ser puntual.

PT: Este produto é adequado apenas para espaços bem isolados espaços ou utilização ocasional.

NL: Dit product is alleen geschikt voor goed geïsoleerde ruimtes of incidenteel gebruik.

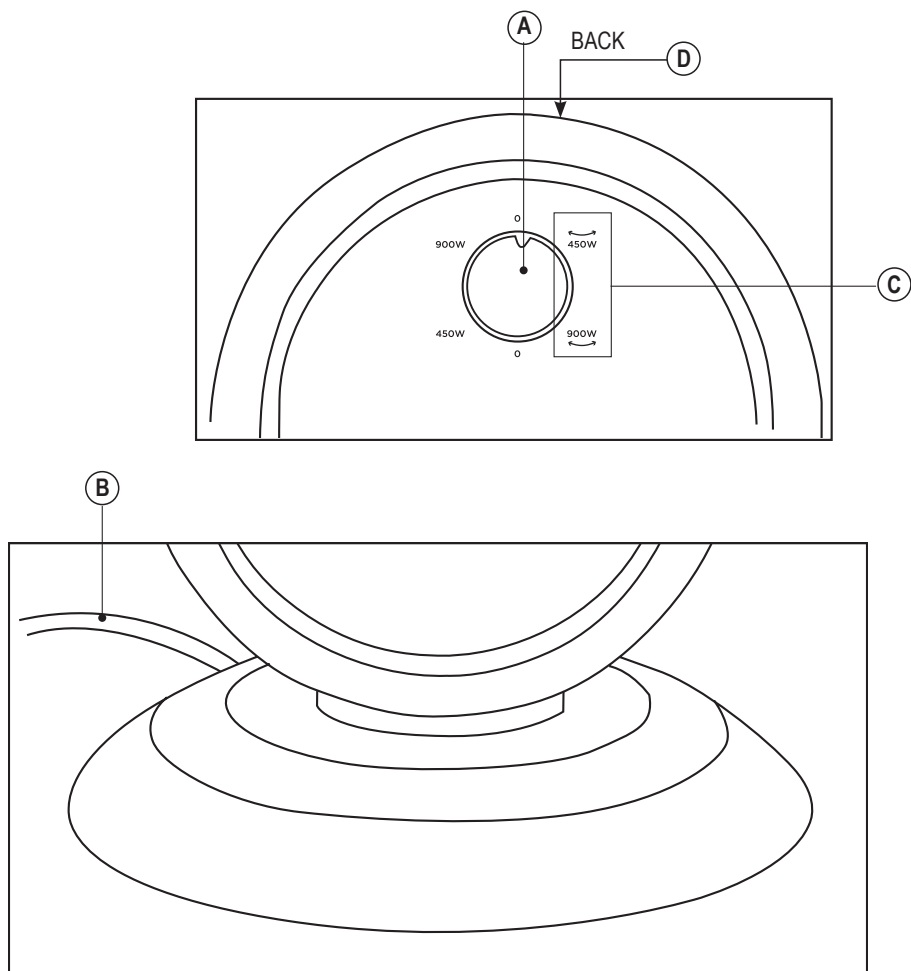
PL: Ten produkt jest przeznaczony tylko do dobrze izolowanych pomieszczeń lub okazjonalnych zastosowań.

EL: Αυτό το προϊόν είναι κατάλληλο μόνο για καλά μονωμένους χώρους ή για περιστασιακή χρήση.

RU: Этот продукт подходит только для хорошо изолированных помещений или случайного использования.

RO: Acest produs este potrivit doar pentru spații bine izolate sau ocazional.

BG: Този продукт е подходящ само за добре изолирани помещения или случайна употреба.



## Carbon heater BXCSH900E

### Dear customer,

Many thanks for choosing to purchase a BLACK+DECKER brand product.

Thanks to its technology, design and operation and the fact that it exceeds the strictest quality standards, a fully satisfactory use and long product life can be assured.

- ◆ Read these instructions carefully before switching on the appliance and keep them for future reference. Failure to follow and observe these instructions could lead to an accident.

## SAFETY ADVICE AND WARNINGS

- ◆ **CAUTION: Some parts of this product can become very hot and cause burns. Particular attention has to be given where children and vulnerable people are present.**

- ◆ The appliance must not be placed below a power socket.
- ◆ Children of less than 3 years should be kept away unless continuously supervised.
- ◆ Children aged from 3 years and less than 8 years shall only switch on/off the appliance provided that it has been placed or installed in its intended normal operating position and they have been given supervision or instruction concerning use of the appliance in a safe way and understand the hazards involved.
- ◆ This appliance can be used by children aged from 8 years and above

and persons with reduced physical, sensory or mental capabilities or lack of experience and knowledge if they have been given supervision or instruction concerning use of the appliance in a safe way and understand the hazards involved.

- ◆ Cleaning and user maintenance shall not be made by children unless they are supervised.
- ◆ Children aged from 3 years and less than 8 years shall not plug in, regulate and clean the appliance or perform user maintenance.
- ◆ This appliance is not a toy. Children should be supervised to ensure that they do not play with the appliance.
- ◆ Do not use the appliance near bathtubs, showers or swimming pools.
- ◆ **WARNING:** This appliance is not equipped with a device to control the room temperature. Do not use this appliance in small rooms when they are occupied by persons not capable or leaving the room on their own, unless constant supervision is provided.
- ◆ If the connection to the mains has been damaged, it must be replaced, take the appliance to an authorised technical support service. Do not attempt to disassemble or repair the appliance by yourself in order to avoid a hazard.

- ◆ This appliance is for household use only, not professional, industrial use.



This symbol means that product can't be covered.

- ◆ **CAUTION:** In order to prevent overheating do not cover the appliance.
- ◆ **WARNING:** To reduce the risk of fire, keep textiles, curtains, or any other flammable material a minimum distance of 1 meter from the air outlet.
- ◆ Do not use the appliance if it has been dropped.

- ◆ Ensure that the voltage indicated on the rating label matches the mains voltage before plugging in the appliance.
- ◆ Connect the appliance to a socket that can supply a minimum of 10 amperes.
- ◆ The appliance's plug must fit into the mains socket properly. Do not alter the plug. Do not use plug adaptors.
- ◆ Use the appliance in a well-ventilated area.
- ◆ If other gas or fuel appliances can be used at the same time in the room where the appliance is to be used, that room must be well ventilated.
- ◆ The appliance must be used and placed on a flat, stable surface.
- ◆ Keep the appliance away from flammable material such as textiles, cardboard or paper, etc.
- ◆ Do not place inflammable material near the appliance.
- ◆ Ensure that neither the air access nor exit become either totally or partially covered by drapery, clothing, etc., as this increases the risk of fire.
- ◆ Do not use the heater with a programmer, timer or any other device that switches the heater on automatically
- ◆ Do not use the appliance if the cable or plug is damaged.
- ◆ If any of the appliance casings breaks, immediately disconnect the appliance from the mains to prevent the possibility of an electric shock.
- ◆ **CAUTION:** Maintain the appliance dry.
- ◆ **CAUTION:** Do not use the appliance near water.
- ◆ Do not use the appliance with damp hands or feet, or when barefooted.

- ◆ Do not force the power cord. Never use the power cord to lift up, carry or unplug the appliance.
- ◆ Do not wrap the power cord around the appliance.
- ◆ Do not clip or crease the power cord.
- ◆ Do not allow the power cord to come into contact with the appliance's hot surfaces.
- ◆ Keep the power cord well away from heat sources, oil, sharp edges or moving parts.
- ◆ Check the state of the power cord. Damaged or tangled cables increase the risk of electric shock.
- ◆ Supply cord should be regularly examined for signs of damage, and if the cord is damaged, the appliance must not be used.
- ◆ Do not use or store the appliance outdoors.
- ◆ Do not leave the appliance out in the rain or exposed to moisture. If water gets into the appliance, this will increase the risk of electric shock.
- ◆ Do not touch the plug with wet hands.
- ◆ Do not use the appliance in the case of persons insensitive to heat (the appliance has heated surfaces).
- ◆ Do not touch the heated parts of the appliance, as it may cause serious burns.

### Use and care:

- ◆ Fully unroll the appliance's power cable before each use.
- ◆ Do not use the appliance if the on/off switch does not work.
- ◆ Do not move the appliance while in use.
- ◆ Use the appliance handle/s, to carry it or move it.
- ◆ Do not use the appliance if it is tipped up and do not turn it over.
- ◆ Do not turn the appliance over while it is in use or connected to the mains.
- ◆ Disconnect the appliance from the mains when not in use and before undertaking any cleaning task.
- ◆ Store this appliance out of reach of children and/or persons with reduced physical, sensory or mental capabilities, or lack of experience and knowledge.
- ◆ Make sure that dust, dirt or other foreign objects do not block the fan grill on the appliance.
- ◆ Never leave the appliance unattended while in use.
- ◆ Never leave the appliance connected and unattended if is not in use. This saves energy and prolongs the life of the appliance.
- ◆ Do not use the appliance to dry pets or animals.
- ◆ Do not use the appliance to dry textiles of any kind.
- ◆ **CAUTION:** User can't sleep when appliance is under use; there is a risk of injuries.

**Service:**

- ◆ Make sure that the appliance is serviced only by specialist personnel, and that only original spare parts or accessories are used to replace existing parts/accessories.
- ◆ **CAUTION:** There is a risk of fire if the appliance's cleaning is not done according to these instructions.
- ◆ Any misuse or failure to follow the instructions for use renders the guarantee and the manufacturer's liability null and void.

**DESCRIPTION**

- A Power switch
- B Power cord
- C Oscillation function
- D Carry handle

If the model of your appliance does not have the accessories described above, they can also be bought separately from the Technical Assistance Service.

**INSTRUCTIONS FOR USE****Before use:**

- ◆ Make sure that all products' packaging has been removed.
- ◆ Some parts of the appliance have been lightly greased. Consequently, the first time the appliance is used a light smoke may be detected. After a short time, this smoke will disappear.
- ◆ To eliminate the smell given off by the appliance when used for the first time, it is recommended to have it on at full power for 2 hours in a well-ventilated room.
- ◆ Prepare the appliance according to the function you wish to use:

**Use:**

- ◆ Unroll the cable completely before plugging it in.
- ◆ Connect the appliance to the mains.
- ◆ Guide the appliance to direct the flow of air in the desired direction.
- ◆ Turn the appliance on, by using the power selection knob (A).
- ◆ Select the desired power.

**Heater function:**

- ◆ Select the desired heating power.

**Oscillation function:**

- ◆ The oscillation function makes it possible to direct the flow from the apparatus so that it automatically alternates over a range of 75°.
- ◆ To activate this function, select the (C) option.

**Once you have finished using the appliance:**

- ◆ Stop the appliance, selecting position 0 on the selector control.
- ◆ Unplug the appliance from the mains.
- ◆ Allow to cool
- ◆ Clean the appliance.

**Carry handle/s:**

- ◆ This appliance has a handle on the upper part of the body, which facilitates comfortable transportation (D).

**Anti-tipping safety device:**

- ◆ The appliance has an anti-tipping safety device that turns it off if the working position is not the correct one.

**CLEANING**

- ◆ Disconnect the appliance from the mains and allow it to cool before undertaking any cleaning task.
- ◆ Clean the equipment with a damp cloth with a few drops of washing-up liquid and then dry.
- ◆ Do not use solvents, or products with an acid or base pH such as bleach, or abrasive products, for cleaning the appliance.
- ◆ Do not let water or any other liquid get into the air vents to avoid damage to the inner parts of the appliance.
- ◆ Never submerge the appliance in water or any other liquid or place it under running water.
- ◆ **Remark:** When the appliance is used after long periods in storage a small amount of smoke may be produced. This is not important and is due to the heater burning dust deposits which have accumulated on the heating element. This phenomenon may be avoided by cleaning the inside of the appliance beforehand through the grill with a vacuum cleaner or pressurised air.

**ANOMALIES AND REPAIR**

- ◆ Take the appliance to an authorised technical support service if product is damaged or other problems arise. Do not attempt to disassemble or repair the appliance

yourself as this may be dangerous.

## For EU product versions and/or in case that it is requested in your country:

### Ecology and recyclability of the product

- ◆ The materials of which the packaging of this appliance consists are included in a collection, classification and recycling system. Should you wish to dispose of them, use the appropriate public recycling bins for each type of material.
- ◆ The product does not contain concentrations of substances that could be considered harmful to the environment.



This symbol means that in case you wish to dispose of the product once its working life has ended; take it to an authorised waste agent for the selective collection of Waste from Electric and Electronic Equipment (WEEE).

This appliance complies with Directive 2014/35/EU on Low Voltage, Directive 2014/30/EU on Electromagnetic Compatibility, Directive 2011/65/EU on the restrictions of the use of certain hazardous substances in electrical and electronic equipment and Directive 2009/125/EC on the ecodesign requirements for energy-related products.

## WARRANTY AND TECHNICAL ASSISTANCE

- ◆ This product enjoys the recognition and protection of the legal guarantee in accordance with current legislation. To enforce your rights or interests you must go to any of our official technical assistance services.
- ◆ You can find the closest one by accessing the following web link: <http://www.2helpu.com/>.
- ◆ You can also request related information, by contacting us (see the last page of the manual).
- ◆ You can download this instruction manual and its updates at <http://www.2helpu.com/>.

The following information details the features related to ecodesign.

<b>Model: BXCSH900E</b>	
<b>Heat Output</b>	
Nominal heat output P <sub>nom</sub>	0,9 kW
Minimum heat output (indicative) P <sub>min</sub>	0,45 kW
Maximum continuous heat output P <sub>max</sub>	0,9 kW
<b>Auxiliary electricity consumption</b>	
At nominal heat output e <sub>lmax</sub>	0,00 kW
At minimum heat output e <sub>lmin</sub>	0,00 kW
In standby mode e <sub>lSB</sub>	0,00 kW
<b>Type of heat input, for electric storage local space heaters only</b>	
Manual heat charge control, with integrated thermostat	No
Manual heat charge control with room and/or outdoor temperature feedback	No
Electronic heat charge control with room and/or outdoor temperature feedback	No
Fan assisted heat output	No
<b>Type of heat output/room temperature control</b>	
Single stage heat output and no room temperature control	No
Two or more manual stages, no room temperature control	Yes
With mechanical thermostat room temperature control	No
With electronic room temperature control	No
Electronic room temperature control plus day timer	No
Electronic room temperature control plus week timer	No
<b>Other control options</b>	
Room temperature control, with presence detection	No
Room temperature control, with open window detection	No
With distance control option	No
With adaptive start control	No
With working time limitation	No
With black bulb sensor	No
Contact details: Engineering and Technology for Life, S.L., Avda. Barcelona, s/n, Oliana, 25790, Spain	

## Chauffe carbone BXCSH900E

### Cher Client,

Nous vous remercions d'avoir acheté un appareil BLACK&DECKER.

Sa technologie, son design et sa fonctionnalité, outre sa parfaite conformité aux normes de qualité les plus strictes, vous permettront d'en tirer une longue et durable satisfaction.

- ◆ Lire attentivement cette notice d'instructions avant de mettre l'appareil en marche, et la conserver pour la consulter ultérieurement. Le non-respect de ces instructions peut être source d'accident.

## CONSEILS ET MESURES DE SÉCURITÉ

- ◆ **AVERTISSEMENT : Certaines pièces du produit peuvent devenir très chaudes et entraîner des brûlures. Faire particulièrement attention en présence d'enfants ou de personnes vulnérables.**
- ◆ L'appareil ne doit pas être placé sous une prise de courant.
- ◆ L'appareil doit être mis hors de portée des enfants de moins de 3 ans, sauf s'ils sont continuellement surveillés.
- ◆ Les enfants de 3 ans à 8 ans pourront allumer/éteindre l'appareil à condition qu'il ait été placé ou installé dans sa position de fonctionnement correcte et sous la supervision d'un adulte ou après avoir reçu les instructions relatives au fonctionnement sûr de l'appareil et en connaissant les risques potentiels de son utilisation.
- ◆ Cet appareil peut être utilisé par des enfants de plus de 8 ans et par des personnes ayant des capacités physiques, sensorielles ou mentales réduites ou manquant d'expérience à condition de le faire sous surveillance ou après avoir reçu les instructions pour un maniement sûr de l'appareil et en ayant compris les risques qu'il comporte.
- ◆ Les enfants ne doivent pas réaliser les opérations de nettoyage ou de maintenance de l'appareil sans la supervision d'un adulte.
- ◆ Les enfants de 3 ans à 8 ans ne doivent pas brancher, régler, nettoyer ni réaliser les opérations de maintenance de l'appareil.
- ◆ Cet appareil n'est pas un jouet. Les enfants doivent être surveillés afin de s'assurer qu'ils ne jouent pas avec l'appareil.
- ◆ Ne pas utiliser l'appareil à proximité d'une baignoire, d'une douche ou d'une piscine.
- ◆ **AVERTISSEMENT:** Cet appareil n'est pas équipé d'un dispositif de contrôle de température ambiante. Éviter d'utiliser l'appareil dans de petites pièces éventuellement occupées par des personnes handicapées incapables de sortir par leurs propres moyens, à moins qu'elles

soient constamment surveillées.

- ◆ Si la prise secteur est abîmée, elle doit être remplacée. Pour cela, l'emmener à un Service d'assistance technique agréé. Ne pas tenter de procéder aux réparations ou de démonter l'appareil en raison des risques que cela implique.
- ◆ Cet appareil est uniquement destiné à un usage domestique et non à un usage professionnel ou industriel.



Ce symbole signifie que le produit ne doit pas être recouvert.

- ◆ AVERTISSEMENT: Afin d'éviter une surchauffe, ne pas couvrir l'appareil.
- ◆ AVERTISSEMENT: pour réduire les risques d'incendie, gardez les textiles, les rideaux ou tout autre matériau inflammable à une distance minimale de 1 mètre de la sortie d'air..
- ◆ N'utilisez pas l'appareil s'il est tombé.
- ◆ Avant de raccorder l'appareil au secteur, s'assurer que la tension indiquée sur la plaque signalétique correspond à celle du secteur.
- ◆ Brancher l'appareil sur une prise de courant raccordée à la terre et supportant au moins 10 ampères.
- ◆ La prise de courant (fiche) de l'appareil doit coïncider avec le socle de la prise de courant. Ne jamais modifier la fiche de l'appareil. Ne pas utiliser d'adaptateurs.
- ◆ Utiliser l'appareil dans une zone bien ventilée.
- ◆ Il faut prévoir une ventilation adéquate de la salle, si d'autres appareils à gaz ou autre combustible peuvent être utilisés simultanément dans la même salle où est installé l'appareil.

- ◆ L'appareil doit être utilisé et placé sur une surface plane et stable.
- ◆ Veiller à éloigner l'appareil de tout matériel combustible, tels que carton, papier, matières textiles...
- ◆ Aucun objet ou matière inflammable ne doit se trouver à proximité de l'appareil.
- ◆ Afin d'éviter tout risque d'incendie, ne pas boucher totalement ou partiellement l'entrée et la sortie d'air de l'appareil, par des meubles, rideaux, vêtements, etc.
- ◆ Ne pas utiliser l'appareil associé à un programmeur, à une minuterie ou autre dispositif connectant automatiquement l'appareil.
- ◆ Ne pas utiliser l'appareil si son câble électrique ou sa prise est endommagé.
- ◆ Si une des enveloppes protectrices de l'appareil se casse, débrancher immédiatement l'appareil du secteur pour éviter toute décharge électrique.
- ◆ AVERTISSEMENT: Maintenir l'appareil au sec.
- ◆ AVERTISSEMENT: Ne pas utiliser l'appareil à proximité de points d'eau.
- ◆ Ne pas utiliser l'appareil avec les mains ou les pieds mouillés, ni pieds nus.
- ◆ Ne pas forcer le câble électrique. Ne jamais utiliser le câble électrique pour soulever, transporter ou débrancher l'appareil.
- ◆ Ne pas enrouler le câble électrique autour de l'appareil.
- ◆ Éviter que le câble électrique de connexion ne se coince ou ne s'emmêle.
- ◆ Ne pas laisser le câble électrique entrer en contact avec les surfaces chaudes de l'appareil.
- ◆ Maintenir l'appareil éloigné de sources de chaleur, huiles, bords coupants ou pièces en mouvement.
- ◆ Vérifier l'état du câble électrique de connexion. Les câbles endommagés ou emmêlés augmentent le risque de décharge électrique.
- ◆ Le câble d'alimentation doit être examiné régulièrement à la recherche de signes de dommages, et s'il est endommagé, l'appareil ne doit pas être utilisé.
- ◆ Ne pas exposer l'appareil aux intempéries.
- ◆ Ne pas exposer l'appareil à la pluie ou à un environnement humide. L'eau qui entre dans l'appareil augmente le risque de décharge électrique.
- ◆ Ne pas toucher la fiche de l'appareil avec les mains mouillées.
- ◆ Les personnes insensibles à la chaleur doivent éviter d'utiliser cet appareil (puisque celui-ci présente des surfaces chauffantes).
- ◆ Éviter de toucher les parties chauffantes de l'appareil, vous pourriez gravement vous brûler.

**Utilisation et entretien :**

- ◆ Avant chaque utilisation, dérouler complètement le câble électrique de l'appareil.
- ◆ Ne pas utiliser l'appareil si son dispositif de mise en marche/arrêt ne fonctionne pas.
- ◆ Ne pas bouger ou déplacer l'appareil durant son fonctionnement
- ◆ Utiliser les poignées pour prendre ou transporter l'appareil.
- ◆ Ne pas utiliser l'appareil en position inclinée, ni le retourner.
- ◆ Ne pas retourner l'appareil quand il est en cours d'utilisation ou branché au secteur.
- ◆ Si vous utilisez l'appareil dans une salle de bain ou endroit similaire, débranchez-le du secteur lorsque vous ne l'utilisez pas, même pour un court instant, car la proximité de l'eau présente un risque, même si l'appareil est déconnecté.
- ◆ Débrancher l'appareil du secteur quand il n'est pas utilisé et avant de procéder à toute opération de nettoyage.
- ◆ Conserver cet appareil hors de portée des enfants ou des personnes ayant des capacités physiques, sensorielles ou mentales réduites ou présentant un manque d'expérience et de connaissances.
- ◆ Vérifier que les grilles de ventilation de l'appareil ne sont pas obstruées par de la poussière, des saletés ou tout autre objet.
- ◆ Toujours utiliser l'appareil sous surveillance.
- ◆ Ne jamais laisser l'appareil branché sans surveillance. Vous réduirez par la même occasion la consommation d'énergie et prolongerez la durée de vie de l'appareil.
- ◆ Ne pas utiliser l'appareil sur des animaux domestiques ou tout animal.
- ◆ Ne pas utiliser l'appareil pour sécher des vêtements textiles.
- ◆ **AVERTISSEMENT:** Ne pas s'endormir pendant que l'appareil est en marche car il existe un risque de dommages.
- ◆ Mettre le thermostat sur la position minimum (MIN) ne garantit pas l'arrêt complet de l'appareil.

**Entretien:**

- ◆ Assurez-vous que le service de maintenance de l'appareil est réalisé par du personnel spécialisé, et que dans le cas où vous auriez besoin de pièces de rechange, celles-ci soient originales.
- ◆ **AVERTISSEMENT:** Si l'appareil ne se nettoie pas conformément au mode d'emploi, il pourrait exister un risque d'incendie.
- ◆ Toute utilisation inappropriée ou non conforme aux

instructions d'utilisation annule la garantie et la responsabilité du fabricant.

**DESCRIPTION**

- A Sélecteur de puissance
- B Câble d'alimentation
- C Fonction oscillation
- D Poignée de Transport

Dans le cas où votre modèle ne disposerait pas des accessoires décrits antérieurement, ceux-ci peuvent être achetés séparément auprès des services d'assistance technique.

**MODE D'EMPLOI****Consignes préalables:**

- ◆ S'assurer d'avoir retiré tout le matériel d'emballage du produit.
- ◆ Certaines parties de l'appareil ayant été légèrement graissées, il est possible que l'appareil dégage un peu de fumée lors de la première utilisation. La fumée disparaîtra dans un court laps de temps.
- ◆ Pour éliminer l'odeur de neuf au premier fonctionnement, on recommande de le faire marcher à la puissance maximale pendant 2 heures dans une pièce bien ventilée.
- ◆ Préparer l'appareil conformément à la fonction désirée :

**Utilisation :**

- ◆ Dérouler complètement le câble avant de le brancher.
- ◆ Brancher l'appareil au secteur.
- ◆ Placer l'appareil pour diriger le flux d'air vers la direction désirée.
- ◆ Mettre l'appareil en marche en actionnant le sélecteur de puissance (A).
- ◆ Sélectionner la puissance désirée.

**Fonction Chauffage soufflant :**

- ◆ Choisir la puissance de chauffage souhaitée.

**Fonction oscillation :**

- ◆ La fonction oscillation permet de diriger le flux d'air qui sort de l'appareil pour couvrir de manière alternée et automatique un rayon de 75°.

- ◆ Pour activer cette fonction, sélectionner la position (C).

### Après utilisation de l'appareil :

- ◆ Arrêter l'appareil, en plaçant la commande de sélection sur la position 0.
- ◆ Débrancher l'appareil du secteur.
- ◆ Nettoyer l'appareil.

### Poignée de Transport :

- ◆ Cet appareil dispose d'une poignée sur sa partie supérieure pour faciliter son transport en toute commodité (D).

### Dispositif de sécurité anti-renversement :

- ◆ L'appareil dispose d'un dispositif de sécurité anti-renversement qui se charge de déconnecter l'appareil dans le cas où la position de travail ne soit pas correcte.

## NETTOYAGE

- ◆ Débrancher l'appareil du secteur et attendre son refroidissement complet avant de le nettoyer.
- ◆ Nettoyer l'appareil avec un chiffon humide imprégné de quelques gouttes de détergent et le laisser sécher.
- ◆ Ne pas utiliser de solvants ni de produits au pH acide ou basique tels que l'eau de Javel, ni de produits abrasifs pour nettoyer l'appareil.
- ◆ Ne pas laisser pénétrer d'eau ni aucun autre liquide par les ouvertures d'aération afin d'éviter d'endommager les parties intérieures de l'appareil.
- ◆ Ne pas immerger l'appareil dans l'eau ou dans tout autre liquide, ni le passer sous un robinet.
- ◆ Note : Lors de la mise en marche de l'appareil en mode chauffage, après une longue période d'arrêt ou de fonctionnement en mode ventilation seule, il est possible qu'au début, il se dégage une légère fumée, sans aucune conséquence, celle-ci étant uniquement due à la combustion de la poussière et des particules accumulées dans l'élément chauffant. Ce phénomène peut être évité en nettoyant au préalable, à travers les grilles de l'appareil, l'intérieur de ce dernier avec l'aide d'un aspirateur ou d'un jet d'air comprimé.

## ANOMALIES ET RÉPARATION

- ◆ En cas de panne, remettre l'appareil à un service d'assistance technique agréé. Il est dangereux de tenter de procéder aux réparations ou de démonter l'appareil soi-même.

### Pour les versions UE du produit et/ou en fonction de la législation du pays d'installation :

### Écologie et recyclage du produit

- ◆ Les matériaux constitutifs de l'emballage de cet appareil font partie d'un programme de collecte, de tri et de recyclage. Si vous souhaitez vous débarrasser du produit, merci de bien vouloir utiliser les conteneurs publics appropriés à chaque type de matériau.
- ◆ Le produit ne contient pas de substances concentrées susceptibles d'être considérées comme nuisibles à l'environnement.



Ce symbole signifie que si vous souhaitez vous débarrasser de l'appareil, en fin de vie utile, celui-ci devra être déposé, en prenant les mesures adaptées, dans un centre agréé pour la collecte et le tri des déchets d'équipements électriques et électroniques (DEEE).

Cet appareil est certifié conforme à la directive 2014/35/UE de basse tension, de même qu'à la directive 2014/30/UE en matière de compatibilité électromagnétique, à la directive 2011/65/UE relative à la limitation de l'utilisation de certaines substances dangereuses dans les équipements électriques et électroniques et à la directive 2009/125/CE sur les conditions de conception écologique applicable aux produits en rapport avec l'énergie.

## GARANTIE ET ASSISTANCE TECHNIQUE

- ◆ Ce produit est reconnu et protégé par la garantie établie conformément à la législation en vigueur. Pour faire valoir vos droits ou intérêts, vous devrez vous adresser à l'un de nos services d'assistance technique agréés.
- ◆ Pour savoir lequel est le plus proche, vous pouvez accéder au lien suivant : <http://www.2helpu.com/>
- ◆ Vous pouvez aussi nous contacter pour toute information (veuillez consulter la dernière page du manuel).
- ◆ Vous pouvez télécharger ce manuel d'instructions et ses mises à jour sur <http://www.2helpu.com/>. Les informations suivantes fournissent les caractéristiques liées à la conception écologique :

<b>Modèle : BXCSH900E</b>	
<b>Puissance calorifique</b>	
Puissance calorifique nominale Pnom	0,9 kW
Puissance calorifique minimum (à titre indicatif) Pmin	0,45 kW
Puissance calorifique maximum continue Pmax	0,9 kW
<b>Consommation auxiliaire d'électricité</b>	
À puissance calorifique nominale max	0,00 kW
Puissance thermique minimum min	0,00 kW
En mode attente, leSB	0,00 kW
<b>Type d'entrée de chaleur, uniquement pour les appareils de chauffage local électriques à accumulation</b>	
Contrôle manuel de la charge thermique, avec thermostat intégré	Non
Contrôle manuel de la charge thermique en réponse à la température intérieure ou extérieure.	Non
Contrôle électronique de la charge thermique en réponse à la température intérieure ou extérieure	Non
Puissance thermique assistée par ventilateurs	Non
<b>Type de contrôle de puissance calorifique/de température intérieure</b>	
Puissance calorifique à un seul niveau, sans contrôle de la température intérieure	Non
Deux niveaux manuels ou plus, sans contrôle de la température intérieure	Oui
Avec contrôle de la température intérieure par le thermostat mécanique	Non
Avec contrôle électronique de la température intérieure	Non
Contrôle électronique de la température intérieure et minuterie quotidienne	Non
Contrôle électronique de la température intérieure et minuterie hebdomadaire	Non
<b>Autres options de commande</b>	
Contrôle de la température intérieure avec détection de présence	Non
Contrôle de la température intérieure avec détection des fenêtres ouvertes	Non
Avec option de télécommande	Non
Avec contrôle de la mise en marche adaptable	Non
Avec limitation de la durée de fonctionnement	Non
Avec capteur à lumière noire	Non
Informations de contact: Engineering and Technology for Life, S.L., Avda. Barcelona, s/n, Oliana, 25790, Espagne	

## Carbon-Heizer BXCSH900E

### Sehr geehrte Kunden:

wir danken Ihnen für Ihre Entscheidung, ein BLACK+DECKER-Gerät zu kaufen.

Die Technologie, das Design und die Funktionalität dieses Produkts, das die anspruchsvollsten Qualitätsnormen erfüllt, werden Sie über viele Jahre zufriedenstellen.

- ◆ Lesen Sie die Gebrauchsanweisung sorgfältig, bevor Sie das Gerät einschalten und bewahren Sie diese zum Nachschlagen zu einem späteren Zeitpunkt auf. Werden die Hinweise dieser Bedienungsanleitung nicht beachtet und eingehalten, kann es zu Unfällen kommen.

## RATSCHLÄGE UND SICHERHEITSHINWEISE

### ◆ ACHTUNG Einige Teile dieses Geräts können sehr heiß werden und Verbrennungen hervorrufen. Bitte seien Sie in Anwesenheit von Kindern oder älteren Personen besonders vorsichtig.

- ◆ Das Gerät darf nicht unter einem Stromanschluss aufgestellt werden.
- ◆ Das Gerät außerhalb der Reichweite von Kindern unter 3 Jahren aufbewahren, sofern diese nicht unter Aufsicht stehen.
- ◆ Kinder zwischen 3 und 8 Jahren dürfen das Gerät nur ein- oder ausschalten, sofern dieses in seiner normalen Betriebsposition wie vorgeschrieben auf- oder eingebaut wurde, jedoch nur unter Aufsicht oder wenn sie eine Anleitung zur sicheren Nutzung des Geräts erhalten haben und sich über die Risiken desselben im Klaren sind.

ten haben und sich über die Risiken desselben im Klaren sind.

- ◆ Personen, denen es an Wissen im Umgang mit dem Gerät mangelt, geistig behinderte Personen oder Kinder ab 8 Jahren dürfen das Gerät nur unter Aufsicht oder Anleitung über den sicheren Gebrauch des Gerätes benutzen, sofern sie die von dem Gerät ausgehenden Gefahren verstehen.
- ◆ Kinder dürfen keine Reinigungs- oder Instandhaltungsarbeiten am Gerät ausführen, sofern sie nicht von einem Erwachsenen beaufsichtigt werden.
- ◆ Kinder von 3 bis 8 Jahren dürfen das Gerät nicht anschließen, einstellen oder reinigen und dürfen keine Instandhaltungsarbeiten am Gerät ausführen.
- ◆ Dieses Gerät ist kein Spielzeug. Kinder müssen beaufsichtigt werden, damit sie nicht mit dem Gerät spielen.
- ◆ Benutzen Sie das Gerät nicht in der Nähe von Badewannen, Duschen oder Schwimmbecken.
- ◆ WARNUNG: Dieses Gerät ist nicht mit einer Kontrollvorrichtung für die Raumtemperatur ausgestattet. Dieses Gerät darf nicht in kleinen Räumen verwendet werden, in denen sich Personen aufhalten,

die das Zimmer nicht ohne fremde Hilfe verlassen können, sofern diese Räume nicht ständig überwacht werden.

- ◆ Wenn der Netzstecker beschädigt ist, muss er ausgetauscht werden. Bringen Sie das Gerät zu diesem Zweck zu einem zugelassenen Kundendienst. Um jegliche Gefahr auszuschließen, versuchen Sie nicht selbst, den Stecker abzumontieren und zu reparieren.
- ◆ Dieses Gerät ist ausschließlich für den häuslichen Gebrauch ausgelegt und ist für professionelle oder gewerbliche Zwecke nicht geeignet.



Dieses Symbol bedeutet, dass das Produkt nicht abgedeckt werden darf.

- ◆ **WARNUNG:** Um eine Überhitzung zu vermeiden, nicht das Gerät verdecken.
- ◆ **WARNUNG:** Um die Brandgefahr zu verringern, halten Sie Textilien, Vorhänge oder andere brennbare Materialien mindestens 1 Meter vom Luftauslass entfernt.
- ◆ Verwenden Sie das Gerät nicht, wenn es fallen gelassen wurde.
- ◆ Vergewissern Sie sich, dass die Spannung auf dem Typenschild mit der Netzspannung übereinstimmt, bevor Sie den Apparat an das Stromnetz anschließen.
- ◆ Das Gerät an ein Stromnetz mit mindestens 10 Ampere anschließen.
- ◆ Der Stecker des Geräts muss mit dem Steckdosentyp des Stromanschlusses übereinstimmen. Der Geräte-

stecker darf unter keinen Umständen modifiziert werden. Keine Adapter für den Stecker verwenden.

- ◆ Dieses Gerät ist nicht für den Gebrauch im Außenbereich geeignet.
- ◆ Es muss auf eine angemessene Ventilation des Raums geachtet werden, wenn in demselben Raum, in dem das Gerät installiert wird, gleichzeitig andere, mit Gas oder anderem Brennstoff betriebene Geräte benutzt werden können.
- ◆ Das Gerät muss auf einer ebenen und standfesten Oberfläche aufgestellt und benutzt werden.
- ◆ Stellen Sie bitte das Gerät in ausreichender Entfernung von brennbaren Stoffen wie zum Beispiel Textilien, Pappe, Papier und so weiter auf.
- ◆ Legen Sie kein brennbares Material in die Nähe des Gerätes.
- ◆ Der Lufteintritt und –austritt darf während des Betriebes weder teilweise noch ganz durch Möbel, Vorhänge, Kleidung usw. behindert werden. Es besteht Brandgefahr.
- ◆ Dieses Gerät nicht über einen Programmschalter, eine externe Zeitschaltuhr oder eine sonstige Vorrichtung betreiben.
- ◆ Das Gerät darf nicht mit beschädigtem elektrischem Kabel oder Stecker verwendet werden.
- ◆ Sollte ein Teil der Geräteverkleidung beschädigt sein, ist die Stromzufuhr umgehend zu unterbrechen, um einen möglichen elektrischen Schlag zu vermeiden.
- ◆ **WARNUNG:** Das Gerät trocken halten.
- ◆ **WARNUNG:** Das Gerät nicht in Wassernähe benutzen.
- ◆ Das Gerät darf nicht mit nassen Händen oder Füßen und auch nicht barfuß betätigt werden.
- ◆ Nicht mit Gewalt am elektrischen Anschlusskabel ziehen. Benutzen Sie das elektrische Kabel nicht zum Anheben oder Transportieren des Geräts. Den Stecker nicht am Kabel aus der Dose ziehen.
- ◆ Kabel nicht um das Gerät rollen.
- ◆ Achten Sie darauf, dass das elektrische Kabel nicht getreten oder zerknittert wird.
- ◆ Achten Sie darauf, dass das elektrische Verbindungskabel nicht mit heißen Teilen des Geräts in Kontakt kommt.
- ◆ Das Gerät fern von Hitzequellen, Ölen, scharfen Kanten oder beweglichen Teilen halten.
- ◆ Überprüfen Sie das elektrische Verbindungskabel. Beschädigte oder verwickelte Kabel erhöhen das Risiko von elektrischen Schlägen.
- ◆ Das Netzkabel ist regelmäßig auf Schäden zu prüfen. Bei beschädigtem Kabel darf das Gerät nicht verwendet werden.
- ◆ Das Gerät nicht im Freien benutzen oder aufbewahren.
- ◆ Das Gerät niemals Regen oder Feuchtigkeit aussetzen.

Wasser, das eventuell in das Gerät gelangt, erhöht die Elektroschockgefahr.

- ◆ Berühren Sie den Stecker nicht mit feuchten Händen.
- ◆ Wärmeempfindliche Personen dürfen das Gerät nicht verwenden (da das Gerät aufheizbare Flächen aufweist).
- ◆ Die Heizeile des Gerätes nicht berühren, da sie schwere Verbrennungen verursachen können.

## Benutzung und Pflege:

- ◆ Vor jedem Gebrauch des Geräts das Stromkabel vollständig abwickeln.
- ◆ Benützen Sie das Gerät nicht, wenn der An-/Ausschalter nicht funktioniert.
- ◆ Das Gerät nicht bewegen, während es in Betrieb ist.
- ◆ Verwenden Sie den / die Griff/e, um das Gerät zu heben oder zu tragen.
- ◆ Verwenden Sie das Gerät nicht im gekippten oder umgedrehten Zustand.
- ◆ Solange das Gerät in Betrieb oder ans Netz geschlossen ist, darf es nicht umgedreht werden.
- ◆ Wird das Gerät in einem Badezimmer oder ähnlichem Raum benutzt, ziehen Sie den Stecker aus der Dose, wenn Sie es nicht verwenden, selbst wenn es nur kurze Zeit ist; die Nähe von Wasser stellt immer eine Gefahr dar, auch wenn das Gerät abgeschaltet ist.
- ◆ Ziehen Sie den Stecker heraus und lassen Sie das Gerät abkühlen, bevor Sie mit der Reinigung beginnen.
- ◆ Das Gerät außerhalb der Reichweite von Kindern und/oder Personen mit eingeschränkten körperlichen, sensorischen oder geistigen Fähigkeiten bzw. Personen ohne ausreichende Erfahrung und Kenntnisse aufbewahren.
- ◆ Überprüfen Sie, dass das Ventilationsgitter des Geräts nicht mit Staub, Schmutz oder anderen Substanzen verstopft ist.
- ◆ Das Gerät darf nicht unbeaufsichtigt gelassen werden, während es ans Netz geschlossen ist.
- ◆ Das Gerät nie am Stromnetz angeschlossen und ohne Aufsicht lassen. Sie sparen dadurch Energie und verlängern die Gebrauchsdauer des Gerätes.
- ◆ Gerät nicht zum Trocknen von Haus- oder andere Tieren benützen.
- ◆ Das Gerät nicht zum Trocknen von Textilien jeglicher Art verwenden.
- ◆ **WARNUNG:** Schlafen Sie während der Benutzung dieses Gerätes nicht ein, das könnte zu Gefahrensituationen führen.
- ◆ Die vollständige Abschaltung des Geräts wird nicht dadurch garantiert, dass der Temperaturregler auf der niedrigsten Position (MIN) steht.

## Betrieb:

- ◆ Achten Sie darauf, dass Reparaturen am Gerät nur von einem Fachmann ausgeführt werden. Wenn Sie Betriebsmittel / Ersatzteile benötigen, dürfen diese nur Originalteile sein.
- ◆ **WARNUNG:** Wenn das Gerät nicht gemäß diesen Anleitungen gereinigt wird, kann ein Brandrisiko entstehen.
- ◆ Unsachgemäße Verwendung bzw. Nichteinhaltung der Gebrauchsanweisung kann Gefahren zur Folge haben und führt zum Erlöschen der Garantieansprüche sowie der Haftung des Herstellers.

## BEZEICHNUNG

- A Leistungswahlschalter
- B Netzkabel
- C Schwenkfunktion
- D Transportgriff

Wenn Sie meinen, dass das Gerät nicht mit dem oben angeführten Zubehör ausgestattet ist, können Sie die Teile auch einzeln beim Technischen Dienst erwerben.

## BENUTZUNGSHINWEISE

### Vor der Benutzung:

- ◆ Vergewissern Sie sich, dass Sie das gesamte Verpackungsmaterial des Produkts entfernt haben.
- ◆ Manche Teile des Bügeleisens wurden leicht eingefettet, weshalb das Bügeleisen bei der Erstanwendung ein bisschen dampfen kann. Nach kurzer Zeit wird dies aufhören.
- ◆ Um der auftretenden Geruchsentwicklung bei der ersten Inbetriebnahme entgegenzuwirken, wird empfohlen, das Gerät 2 Stunden lang auf höchster Stufe in einem gut belüfteten Raum in Betrieb zu lassen.
- ◆ Das Gerät für die von Ihnen bestimmte Funktion vorbereiten.

### Benutzung:

- ◆ Vor Anschluss das Kabel völlig ausrollen.
- ◆ Schließen Sie das Gerät an das Stromnetz an.
- ◆ Das Gerät richtig positionieren, um den Luftstrom in die gewünschte Richtung zu lenken.
- ◆ Das Gerät anschalten, indem Sie den Leistungsregler (A) betätigen.
- ◆ Wählen Sie die erwünschte Stärke.

**Funktionsschalter:**

- ◆ Wählen Sie die gewünschte Heizleistung.

**Schwenkfunktion:**

- ◆ Mit der Schwenkfunktion kann der Luftstrom des Geräts automatisch abwechselnd in verschiedene Richtungen geleitet werden; dabei deckt er einen 75°-Bereich ab.
- ◆ Zum Aktivieren dieser Funktion wählen Sie die Position (C) aus.

**Nach der Benutzung des Geräts:**

- ◆ Das Gerät ausschalten, indem Sie die Position 0 der Steuerung anwählen.
- ◆ Den Stecker aus der Netzdose ziehen.
- ◆ Reinigen Sie das Gerät.

**Transport-Griffe:**

- ◆ Dieses Gerät ist mit einem Griff zum einfachen Transport ausgestattet(D).

**Kippsicherung:**

- ◆ Das Gerät ist mit einer Kippsicherung ausgestattet, die aktiviert wird und das Gerät ausschaltet, wenn sich das Gerät nicht in der richtigen Betriebsposition befindet.

**REINIGUNG**

- ◆ Ziehen Sie den Stecker heraus und lassen Sie das Gerät abkühlen, bevor Sie mit der Reinigung beginnen.
- ◆ Reinigen Sie das Gerät mit einem feuchten Tuch, auf das Sie einige Tropfen Reinigungsmittel geben und trocknen Sie es danach ab.
- ◆ Verwenden Sie zur Reinigung des Geräts weder Löse- oder Scheuermittel, noch Produkte mit einem sauren oder basischen pH-Wert wie z.B. Lauge.
- ◆ Lassen Sie kein Wasser oder andere Flüssigkeiten in die Belüftungsöffnungen eindringen, um Schäden an den inneren Funktionsteilen des Gerätes zu vermeiden.
- ◆ Das Gerät nicht in Wasser oder andere Flüssigkeiten tauchen und nicht unter den Wasserhahn halten.
- ◆ Anmerkung: Wenn das Gerät nach längerer Nichtnutzung oder aber nach längerem ausschließlichen Ventilatorbetrieb im Heizmodus in Betrieb genommen wird, so kann es anfangs zu einer leichten, ungefährlichen Rauchbildung kommen. Das liegt daran, dass Staubkörner und Partikel verbrennen, die sich im Heizelement angesammelt haben. Dies kann vermieden werden, indem das Gerät vorab gereinigt wird, und zwar durch die Gitter des Geräts, entweder mit einem Staubsauger

oder aber mit Hilfe von Druckluft.

**STÖRUNGEN UND REPARATUR**

- ◆ Bei Schäden und Störungen bringen Sie das Gerät zu einem zugelassenen Technischen Kundendienst. Versuchen Sie nicht, das Gerät selbst auseinanderzubauen und zu reparieren. Das könnte Gefahren zur Folge haben.

**Für die EU-Ausführungen des Produkts und/oder für Länder, in denen diese Vorschriften anzuwenden sind:****Ökologie und Recycling des Produkts**

- ◆ Die zur Herstellung des Verpackungsmaterials dieses Geräts verwendeten Materialien sind im Sammel-, Klassifizierungs- und Recyclingsystem integriert. Wenn Sie es entsorgen möchten, können Sie die öffentlichen Container für die einzelnen Materialarten verwenden.
- ◆ Das Produkt ist frei von umweltschädlichen Konzentrationen von Substanzen.



Dieses Symbol weist darauf hin, dass das Produkt, wenn Sie es am Ende seiner Lebensdauer entsorgen wollen, in geeigneter Weise bei einer zugelassenen Entsorgungsstelle abzugeben ist, um die getrennte Sammlung von Elektro- und Elektronikgeräte-Abfall (WEEE) sicherzustellen.

Dieses Gerät erfüllt die Richtlinie 2014/35/EU über Niederspannung, die Richtlinie 2014/30/EU über elektromagnetische Verträglichkeit, die Richtlinie 2011/65/EU zur Beschränkung der Verwendung bestimmter gefährlicher Stoffe in Elektro- und Elektronikgeräten und die Richtlinie 2009/125/EC über die Anforderungen an die umweltgerechte Gestaltung energiebetriebener Produkte.

## GARANTIE UND TECHNISCHER SERVICE

- ◆ Dieses Produkt ist von der gesetzlichen Garantie gemäss der geltenden Gesetzgebung geschützt. Um Ihre Rechte und Interessen geltend zu machen, müssen Sie eines unserer offiziellen Servicezentren aufsuchen.
- ◆ Über folgenden Link finden Sie ein Servicezentrum in Ihrer Nähe: <http://www.2helpu.com/>
- ◆ Sie können auch Informationen anfordern, indem Sie sich mit uns in Verbindung setzen (siehe letzte Seite des Handbuches).
- ◆ Sie können dieses Benutzerhandbuch und seine Aktualisierungen unter <http://www.2helpu.com/> herunterladen.

Nachfolgende Information erläutert die Merkmale im Zusammenhang mit dem Ökodesign:

<b>Modell: BXCSH900E</b>	
<b>Wärmeleistung</b>	
Nennwärmeleistung P <sub>nom</sub>	0,9 kW
Minimale Wärmeleistung (Richtwert) P <sub>min</sub>	0,45 kW
Maximale kontinuierliche Wärmeleistung P <sub>max</sub>	0,9 kW
<b>Hilfsstromverbrauch</b>	
Bei Nennwärmeleistung e <sub>max</sub>	0,00 kW
Minimale Heizleistung nach der Min.	0,00 kW
Im Bereitschaftszustand SB	0,00 kW
<b>Art der Wärmezufuhr, ausschliesslich für lokale Akku-Wärmegeräte</b>	
Manuelle Steuerung der Wärmebelastung, mit integriertem Thermostat	Nein
Manuelle Steuerung der Wärmebelastung mit Reaktion auf die Innen- oder Aussentemperatur.	Nein
Elektronische Steuerung der Wärmebelastung mit Reaktion auf die Innen- oder Aussentemperatur	Nein
Durch Ventilatoren unterstützte Wärmeleistung	Nein
<b>Art der Kontrolle der Wärmeleistung / Raumtemperatur</b>	
Einstufige Wärmeleistung, keine Raumtemperaturkontrolle	Nein
Zwei oder mehr manuell einstellbare Stufen, keine Raumtemperaturkontrolle	Ja
Raumtemperaturkontrolle mittels eines mechanischen Thermostats	Nein
Mit elektronischer Raumtemperaturkontrolle	Nein
Mit elektronischer Raumtemperaturkontrolle und Tageszeitregler	Nein
Mit elektronischer Raumtemperaturkontrolle und Wochentagsregelung	Nein
<b>Andere Kontrolloptionen</b>	
Raumtemperaturkontrolle mit Präsenzerkennung	Nein
Raumtemperaturkontrolle mit Erkennung offener Fenster	Nein
Mit Fernbedienungsoption	Nein
Mit adaptiver Regelung des Heizbeginns	Nein
Mit Betriebszeitbegrenzung	Nein
Mit Schwarzkugelsensor	Nein
Kontakt: Engineering and Technology for Life, S.L., Avda. Barcelona, s/n, Oñana, 25790, Spanien	

## Radiatore di carbonio BXCSH900E

### Egregio cliente,

La ringraziamo per aver scelto di comprare un prodotto della marca BLACK+DECKER.

La sua tecnologia, il suo design e la sua funzionalità, oltre al fatto di aver superato le più rigorose norme di qualità, le assicureranno una totale e durevole soddisfazione.

- ◆ Prima di utilizzare l'apparecchio, leggere attentamente le istruzioni riportate nel presente opuscolo e conservarlo per future consultazioni. La mancata osservanza delle presenti istruzioni può essere causa di incidenti.

## CONSIGLI E AVVERTENZE PER LA SICUREZZA

- ◆ **PRECAUZIONI: Alcuni componenti di questo prodotto possono diventare bollenti e causare scottature. Prestare particolare attenzione in presenza di bambini e persone vulnerabili.**

- ◆ Non mettere l'apparecchio sotto una presa di corrente.
- ◆ L'apparecchio deve rimanere fuori dalla portata dei bambini di età inferiore a 3 anni, a meno che non vi sia la costante supervisione di un adulto.
- ◆ È consentito ai bambini di età compresa tra 3 e 8 anni di accendere/spengere l'apparecchio, purché questo sia collocato o installato nella normale posizione di funzionamento prevista e a condizione che i bambini siano supervisionati o abbiano ricevuto istruzioni per farne un uso

sicuro e che siano coscienti dei rischi impliciti nell'utilizzo dell'apparecchio.

- ◆ Questo apparato può essere utilizzato da persone che non ne conoscono il funzionamento, persone disabili o bambini di età superiore agli 8 anni, ma esclusivamente sotto la sorveglianza di un adulto o nel caso abbiano ricevuto le dovute istruzioni per utilizzarlo in completa sicurezza e ne comprendano i rischi.
- ◆ I bambini possono eseguire operazioni di pulizia o di manutenzione dell'apparecchio solo se sorvegliati da un adulto.
- ◆ Non è consentito ai bambini di età compresa tra 3 e 8 anni collegare, regolare e pulire l'apparecchio, né eseguire operazioni di manutenzione.
- ◆ Questo apparecchio non è un giocattolo. Assicurarsi che i bambini non giochino con l'apparecchio.
- ◆ Non utilizzare l'apparecchio vicino a una vasca da bagno, una doccia o una piscina.
- ◆ **AVVERTENZA:** Questo apparecchio non è dotato di un dispositivo di controllo della temperatura ambiente. Non usare questo apparecchio in stanze piccole occupate da persone disabili che non sono in grado di abbandonare la stanza in modo

autonomo, a meno che non siano sorvegliati costantemente.

- ◆ Se la connessione alla rete elettrica è danneggiata, è necessario sostituirla, rivolgendosi a un Centro di Assistenza Tecnica autorizzato. Non tentare di smontare o di riparare l'apparecchio.
- ◆ Questo apparecchio è destinato unicamente ad un uso domestico, non professionale o industriale.



Questo simbolo indica che il prodotto non può essere coperto.

- ◆ **AVVERTENZA:** Per evitare un surriscaldamento non coprire l'apparecchio.
- ◆ **AVVERTENZA:** per ridurre il rischio di incendi, mantenere tessuti, tende o qualsiasi altro materiale infiammabile a una distanza minima di 1 metro dall'uscita dell'aria.
- ◆ Non utilizzare l'apparecchio se è caduto.
  - ◆ Prima di collegare l'apparecchio alla rete elettrica, verificare che il voltaggio indicato sulla targhetta caratteristica e il selettore di voltaggio corrispondano al voltaggio della rete.
  - ◆ Collegare l'apparecchio a una presa di corrente che sopporti come minimo 10 ampere.
  - ◆ Verificare che la presa sia adatta alla spina dell'apparecchio. Non apportare alcuna modifica alla spina. Non usare adattatori.
  - ◆ Utilizzare l'apparecchio in una zona ben ventilata.
  - ◆ Se nella stessa stanza in cui si installi l'apparecchio si prevede di utilizzare altri apparati alimentati a gas o con un altro combustibile, bisogna predisporre un'adeguata ventilazione dell'ambiente.
- ◆ L'apparecchio deve essere collocato e utilizzato su una superficie piana e stabile.
- ◆ Collocare l'apparecchio lontano da materiali infiammabili come tessuti, cartone, carta...
- ◆ Non collocare materiale infiammabile nelle immediate vicinanze dell'apparecchio.
- ◆ Evitare che l'entrata e l'uscita d'aria siano totalmente o parzialmente coperte da mobili, tende, vestiti, ecc, giacché esiste un pericolo di incendio.
- ◆ Non collegare l'apparecchio a programmatori, timer o altri dispositivi che ne consentano il funzionamento automatico.
- ◆ Non utilizzare l'apparecchio se il cavo di alimentazione o la spina fossero danneggiati.
- ◆ In caso di rottura di una parte dell'involucro esterno dell'apparecchio, scollegare immediatamente la spina dalla presa di corrente al fine di evitare eventuali scariche elettriche.
- ◆ **AVVERTENZA:** Mantenere asciutto l'apparecchio.
- ◆ **AVVERTENZA:** Non usare l'apparecchio in prossimità di acqua.
- ◆ Non utilizzare l'apparecchio con le mani o i piedi umidi, né a piedi scalzi.
- ◆ Non tirare il cavo elettrico. Non usare mai il cavo elettrico per sollevare, trasportare o scollegare l'apparecchio.
- ◆ Non avvolgere il cavo di alimentazione attorno all'apparecchio.
- ◆ Non lasciare che il cavo rimanga impigliato o attorcigliato.
- ◆ Non lasciare che il cavo di connessione entri in contatto con le superfici calde dell'apparecchio.
- ◆ Mantenere l'apparecchio lontano da fonti di calore e da angoli spigolosi o elementi mobili.
- ◆ Controllare lo stato del cavo di alimentazione: I cavi danneggiati o attorcigliati aumentano il rischio di scariche elettriche.
- ◆ Ispezionare regolarmente il cavo di alimentazione per individuare segni di danneggiamento, nel qual caso non è consentito l'utilizzo dell'apparecchio.
- ◆ Non usare o esporre l'apparecchio alle intemperie.
- ◆ Non lasciare l'apparecchio sotto la pioggia o in luoghi umidi. Le infiltrazioni d'acqua aumentano il rischio di scariche elettriche.
- ◆ Non toccare mai la spina con le mani bagnate.
- ◆ Si sconsiglia l'uso dell'apparecchio a persone insensibili al calore in quanto l'apparecchio possiede superfici riscaldate.
- ◆ Non toccare le parti riscaldate dell'apparecchio perché potrebbero provocare gravi scottature.

## Precauzioni d'uso:

- ◆ Prima di ogni utilizzo, svolgere completamente il cavo dell'apparecchio.
- ◆ Non utilizzare l'apparecchio se il suo dispositivo di accensione/spegnimento non è funzionante.
- ◆ Non muovere l'apparecchio durante l'uso
- ◆ Utilizzare la maniglia/e per prendere o spostare l'apparecchio.
- ◆ Non utilizzare l'apparecchio inclinato, né capovolgerlo.
- ◆ Non capovolgere l'apparecchio se è in funzione o collegato alla presa.
- ◆ Quando l'apparecchio è usato in bagno o in altri ambienti umidi, scollegarlo dall'alimentazione in caso di inutilizzo, anche se per poco tempo: la vicinanza dell'acqua può rappresentare un pericolo anche quando l'apparecchio è spento.
- ◆ Scollegare la spina dalla presa di corrente quando l'apparecchio non è in uso e prima di eseguire qualsiasi operazione di pulizia.
- ◆ Conservare questo apparecchio fuori dalla portata dei bambini e/o di persone con problemi fisici, mentali o di sensibilità, o con mancanza di esperienza e conoscenza.
- ◆ Accertarsi che le griglie di ventilazione dell'apparecchio non siano ostruite da polvere, sporcizia o altri oggetti.
- ◆ Usare sempre l'apparecchio sotto supervisione.
- ◆ Non lasciare mai l'apparecchio collegato alla rete elettrica e senza controllo. Si otterrà un risparmio energetico e si prolungherà la vita dell'apparecchio stesso.
- ◆ Non usare l'apparecchio su animali.
- ◆ Non utilizzare l'apparecchio per asciugare indumenti di nessun tipo.
- ◆ **AVVERTENZA:** Fare attenzione a non addormentarsi con l'apparecchio in funzionamento, giacché esiste un pericolo di danni.
- ◆ Regolare il comando termostato sulla posizione di minimo (MIN) non garantisce la sconnessione permanente dell'apparecchio.

## Servizio:

- ◆ Assicurarsi che il servizio di manutenzione dell'apparecchio sia eseguito da personale specializzato e che, se si dovessero necessitare materiali di consumo/ricambi, questi siano originali.
- ◆ **AVVERTENZA:** Nel caso in cui la pulizia dell'apparecchio non sia stata eseguita in conformità a queste istruzioni può esistere il rischio d'incendio.
- ◆ Il produttore invalida la garanzia e declina ogni responsabilità in caso di uso inappropriato dell'apparecchio o non conforme alle istruzioni d'uso.

## DESCRIZIONE

- A Selettore della potenza
- B Cavo di alimentazione
- C Funzione oscillazione
- D Maniglia/e di Trasporto

Se il modello del Suo apparecchio non fosse dotato degli accessori anteriormente elencati, può acquistarli separatamente presso i punti di assistenza tecnica autorizzati.

## MODALITÀ D'USO

### Prima dell'uso:

- ◆ Assicurarsi di aver rimosso dal prodotto tutto il materiale di imballaggio.
- ◆ Alcune parti dell'apparecchio sono state leggermente lubrificate pertanto potrebbe uscire del fumo quando si connette l'apparecchio per la prima volta. Dopo un certo tempo il fumo cessa di uscire.
- ◆ Per eliminare l'odore che emana l'apparecchio quando viene utilizzato per la prima volta, si consiglia di tenerlo in funzionamento alla massima potenza per 2 ore in una stanza ben ventilata.
- ◆ Preparare l'apparecchio secondo la funzione che si desidera realizzare:

### Uso:

- ◆ Srotolare completamente il cavo prima di attaccare la spina.
- ◆ Collegare l'apparato alla rete elettrica.
- ◆ Orientare l'apparecchio per dirigere il flusso d'aria nella direzione desiderata.
- ◆ Avviare l'apparecchio azionando il comando selettore (A).
- ◆ Selezionare la potenza desiderata.

### Funzione Riscaldamento:

- ◆ Selezionare la potenza di riscaldamento desiderata.

### Funzione oscillazione:

- ◆ La funzione oscillazione permette di dirigere il flusso d'aria che esce dall'apparecchio affinché copra alternativamente e automaticamente un raggio massimo di 75°.
- ◆ Per attivare questa funzione, selezionare la posizione (C).

### Una volta concluso l'utilizzo dell'apparecchio:

- ◆ Spegnerne l'apparecchio, posizionando il selettore in

posizione 0.

- ◆ Scollegare l'apparecchio dalla rete.
- ◆ Pulire l'apparecchio.

### Maniglia/e di Trasporto:

- ◆ Questo apparecchio dispone di una maniglia nella parte superiore per rendere agevole e comodo il trasporto (D).

### Dispositivo di sicurezza anti ribaltamento:

- ◆ L'apparecchio dispone di un dispositivo di sicurezza anti ribaltamento che scollega l'alimentazione nel caso in cui la posizione di lavoro non sia corretta.

## PULIZIA

- ◆ Scollegare la spina dalla rete elettrica e aspettare che l'apparecchio si raffreddi prima di eseguirne la pulizia.
- ◆ Pulire il gruppo elettrico con un panno umido, quindi asciugarlo.
- ◆ Per la pulizia non impiegare solventi o prodotti a pH acido o basico come la candeggina, né prodotti abrasivi.
- ◆ Non lasciar entrare acqua o altri liquidi nelle fenditure del sistema di ventilazione per non danneggiare le parti operative dell'apparecchio.
- ◆ Non immergere l'apparecchio in acqua o altri liquidi, né lavarlo con acqua corrente.
- ◆ Nota: avviando l'apparecchio in funzione riscaldamento, dopo un lungo inutilizzo o avendolo utilizzato solo con la funzione ventilatore, è possibile che all'inizio si verifichi una leggera uscita di fumo, senza alcuna conseguenza, dovuta al fatto che si stanno bruciando polvere o altre particelle accumulate nella parte di riscaldamento. Questo fenomeno può essere evitato con la pulizia previa dell'interno dell'apparecchio, attraverso le sue fessure, utilizzando un aspirapolvere o un getto d'aria a pressione.

## ANOMALIE E RIPARAZIONI

- ◆ In caso di guasto, rivolgersi ad un Centro d'Assistenza Tecnica autorizzato. Non tentare di smontare o di riparare l'apparecchio: può essere pericoloso.

**Per i prodotti dell'Unione Europea e/o nel caso in cui sia previsto dalla legislazione**

### del Suo paese di origine:

### Prodotto ecologico e riciclabile

- ◆ I materiali che costituiscono l'imballaggio di questo apparecchio sono compresi in un sistema di raccolta, classificazione e riciclaggio degli stessi. Per lo smaltimento, utilizzare gli appositi contenitori pubblici, adatti per ogni tipo di materiale.
- ◆ Il prodotto non contiene concentrazioni di sostanze considerate dannose per l'ambiente.



Questo simbolo indica che, per smaltire il prodotto al termine della sua durata utile, occorre depositarlo presso un ente di smaltimento autorizzato alla raccolta differenziata di rifiuti di apparecchiature elettriche ed elettroniche (RAEE).

Questo apparecchio rispetta la Direttiva 2014/35/UE di Bassa Tensione, la Direttiva 2014/30/UE di Compatibilità Elettromagnetica, la Direttiva 2011/65/UE sui limiti d'impiego di determinate sostanze pericolose negli apparecchi elettrici ed elettronici e la Direttiva 2009/125/CE riguardante l'Ecodesign dei prodotti che consumano energia.

## GARANZIA E ASSISTENZA TECNICA

- ◆ Questo prodotto possiede il riconoscimento e la protezione della garanzia legale di conformità con la legislazione vigente. Per far valere i suoi diritti o interessi, dovrà rivolgersi a uno qualsiasi dei nostri servizi ufficiali di assistenza tecnica.
- ◆ Può trovare il più vicino cliccando sul seguente link: <http://www.2helpu.com/>.
- ◆ Inoltre, può richiedere informazioni mettendosi in contatto con noi (consultare l'ultima pagina del manuale).
- ◆ Può scaricare questo manuale di istruzioni e i suoi aggiornamenti da <http://www.2helpu.com/>.

Le seguenti informazioni specificano le caratteristiche relative al design ecologico:

<b>Modello: BXCSH900E</b>	
<b>Potere calorifico</b>	
Potere calorifico nominale P <sub>nom</sub>	0,9 kW
Potere calorifico minimo (indicativo) P <sub>min</sub>	0,45 kW
Potere calorifico massimo continuo P <sub>max</sub>	0,9 kW
<b>Consumo supplementare di elettricità</b>	
Per il potere calorifico nominale il <sub>max</sub>	0,00 kW
Per il potere calorifico minimo il <sub>min</sub>	0,00 kW
In modalità di attesa il <sub>SB</sub>	0,00 kW
<b>Tipo di fornitura termica, solamente per gli apparecchi da riscaldamento locale elettrici ad accumulo</b>	
Controllo manuale del carico termico, con termostato integrato	No
Controllo manuale del carico termico con risposta alla temperatura interna o esterna.	No
Controllo elettronico del carico termico con risposta alla temperatura interna o esterna	No
Potere calorifico assistito da ventilatori	No
<b>Tipo di controllo del potere calorifico / della temperatura interna</b>	
Potere calorifico di un solo livello, senza controllo della temperatura interna	No
Due o più livelli manuali, senza controllo della temperatura interna	Si
Con controllo della temperatura interna mediante termostato meccanico	No
Con controllo elettronico della temperatura interna	No
Controllo elettronico della temperatura interna e timer giornaliero	No
Controllo elettronico della temperatura interna e timer settimanale	No
<b>Altre opzioni di controllo</b>	
Controllo della temperatura interna con rilevamento di presenza	No
Controllo temperatura interna con rilevamento di finestre aperte	No
Con opzione di controllo a distanza	No
Con controllo di avvio adattabile	No
Con limitazione del tempo di funzionamento	No
Con sensore di lampada a luce nera	No
Informazioni di contatto: Engineering and Technology for Life, S.L., Avda. Barcelona, s/n, Oliana, 25790, Spain	

## Calefactor de carbón BXCSH900E

### Distinguido cliente:

Le agradecemos que se haya decidido por la compra de un producto de la marca BLACK+DECKER.

Su tecnología, diseño y funcionalidad, junto con el hecho de superar las más estrictas normas de calidad le comportarán total satisfacción durante mucho tiempo.

- ◆ Leer atentamente este folleto de instrucciones antes de poner el aparato en marcha y guardarlo para posteriores consultas. La no observación y cumplimiento de estas instrucciones pueden comportar como resultado un accidente.

## CONSEJOS Y ADVERTENCIAS DE SEGURIDAD

- ◆ **PRECAUCIÓN: Algunas partes de este producto pueden ponerse muy calientes y causar quemaduras. Debe ponerse atención particular cuando los niños y las personas vulnerables estén presentes.**
  - ◆ El aparato no debe colocarse debajo de una base de toma de corriente.
  - ◆ Los niños menores de 3 años deben mantenerse fuera del alcance del aparato a menos que sean continuamente supervisados.
  - ◆ Los niños desde 3 años y menores de 8 años deben sólo encender/apagar el aparato siempre que éste haya sido colocado o instalado en su posición de funcionamiento normal prevista y que sean supervisados o hayan recibido instruccio-
- nes relativas al uso del aparato de una forma segura y entiendan los riesgos que el aparato tiene.
- ◆ Este aparato pueden utilizarlo niños con edad de 8 años y superior y personas con capacidades físicas, sensoriales o mentales reducidas o falta de experiencia y conocimiento, si se les ha dado la supervisión o formación apropiadas respecto al uso del aparato de una manera segura y comprenden los peligros que implica.
  - ◆ La limpieza y el mantenimiento a realizar por el usuario no deben realizarlos los niños sin supervisión.
  - ◆ Los niños desde 3 años y menores de 8 años no deben enchufar, regular y limpiar el aparato o realizar operaciones de mantenimiento.
  - ◆ Este aparato no es un juguete. Los niños deben estar bajo vigilancia para asegurar que no jueguen con el aparato.
  - ◆ No utilizar el aparato en las inmediaciones de una bañera, una ducha o una piscina.
  - ◆ **ADVERTENCIA:** Este aparato no está equipado con un dispositivo de control de temperatura ambiente. No usar este aparato en habitaciones pequeñas que estén ocupadas por personas que no sean capaces de abandonar la habitación por sus

medios, a menos que estén sometidas a una vigilancia constante

- ◆ Si la conexión red está dañada, debe ser substituida, llevar el aparato a un Servicio de Asistencia Técnica autorizado. Con el fin de evitar un peligro, no intente desmontarlo o repararlo por sí mismo.
- ◆ Este aparato está pensado únicamente para un uso doméstico, no para uso profesional o industrial.



Este símbolo indica que el aparato no se debe cubrir.

- ◆ **ADVERTENCIA:** A fin de evitar un sobrecalentamiento, no cubrir el aparato.
- ◆ **PRECAUCIÓN:** Para reducir el riesgo de incendio, mantenga textiles, cortinas o cualquier otro material inflamable a una distancia mínima de 1 metro de la salida de aire.
- ◆ **No utilice el aparato si se ha caído.**
  - ◆ Antes de conectar el aparato a la red, verificar que el voltaje indicado en la placa de características coincide con el voltaje de red.
  - ◆ Conectar el aparato a una base de toma de corriente que soporte como mínimo 10 amperios.
  - ◆ La clavija del aparato debe coincidir con la base eléctrica de la toma de corriente. Nunca modificar la clavija. No usar adaptadores de clavija.
  - ◆ Usar el aparato en una zona bien ventilada.
  - ◆ Debe estar prevista una ventilación adecuada de la sala, si en la misma sala donde se instale el aparato pueden utilizarse simultáneamente otros aparatos alimentados a gas u otro combustible.
  - ◆ El aparato debe utilizarse y colocarse sobre una superficie plana y estable.
  - ◆ Situar el aparato lejos de material combustible, tales

como materiales textiles, cartón, papel...

- ◆ No situar material combustible en las inmediaciones del aparato.
- ◆ Evitar que tanto la entrada como la salida de aire queden total o parcialmente tapadas por muebles, cortinajes, ropas, etc., existiría riesgo de incendio.
- ◆ No usar el aparato asociado a un programador, temporizador u otro dispositivo que conecte el aparato automáticamente.
- ◆ No utilizar el aparato con el cable eléctrico o la clavija dañada.
- ◆ Si alguna de las envolventes del aparato se rompe, desconectar inmediatamente el aparato de la red para evitar la posibilidad de sufrir un choque eléctrico.
- ◆ **ADVERTENCIA:** Mantener el aparato seco.
- ◆ **ADVERTENCIA:** No utilizar el aparato cerca del agua.
- ◆ No utilizar el aparato con las manos o los pies húmedos, ni con los pies descalzos.
- ◆ No forzar el cable eléctrico de conexión. Nunca usar el cable eléctrico para levantar, transportar o desenchufar el aparato.
- ◆ No enrollar el cable eléctrico de conexión alrededor del aparato.
- ◆ No dejar que el cable eléctrico de conexión quede atrapado o arrugado.
- ◆ No dejar que el cable eléctrico de conexión quede en contacto con las superficies calientes del aparato.
- ◆ Mantener el aparato lejos de fuentes de calor, aceites, cantos vivos o piezas en movimiento.
- ◆ Verificar el estado del cable eléctrico de conexión. Los cables dañados o enredados aumentan el riesgo de choque eléctrico.
- ◆ El cable de alimentación debe ser examinado regularmente en busca de signos de daño, y si está dañado, el aparato no tiene que usarse.
- ◆ No utilizar ni guardar el aparato a la intemperie.
- ◆ No exponer el aparato a la lluvia o condiciones de humedad. El agua que entre en el aparato aumentará el riesgo de choque eléctrico.
- ◆ No tocar la clavija de conexión con las manos mojadas.
- ◆ No usar el aparato, en el caso de personas insensibles al calor (ya que el aparato tiene superficies calefactadas).
- ◆ No tocar las partes calefactadas del aparato, ya que pueden provocar quemaduras.

### Utilización y cuidados:

- ◆ Antes de cada uso, desenrollar completamente el cable de alimentación del aparato.

- ◆ No usar el aparato si su dispositivo de puesta en marcha/paro no funciona.
- ◆ No mover el aparato mientras está en uso.
- ◆ Hacer uso del asa/s para coger o transportar el aparato.
- ◆ No utilizar el aparato inclinado, ni darle la vuelta.
- ◆ No dar la vuelta al aparato mientras está en uso o conectado a la red.
- ◆ Si se usa el aparato en un cuarto de baño o similar, desenchufar el aparato de la red cuando no se use, aunque sea por poco tiempo, ya que la proximidad del agua presenta un riesgo, incluso en el caso de que el aparato esté desconectado.
- ◆ Desenchufar el aparato de la red cuando no se use y antes de realizar cualquier operación de limpieza.
- ◆ Guardar este aparato fuera del alcance de los niños y/o personas con capacidades físicas, sensoriales o mentales reducidas o falta de experiencia y conocimiento.
- ◆ Verificar que las rejillas de ventilación del aparato no queden obstruidas por polvo, suciedad u otros objetos.
- ◆ Usar siempre el aparato bajo vigilancia.
- ◆ No dejar nunca el aparato conectado y sin vigilancia. Además, ahorrará energía y prolongará la vida del aparato.
- ◆ No usar el aparato para secar mascotas o animales.
- ◆ No usar el aparato para secar prendas textiles de ningún tipo.
- ◆ **ADVERTENCIA:** No quedarse dormido mientras se use este aparato, ya que existe riesgo de daños.
- ◆ Colocar el mando termostato a la posición de mínimo (MIN), no garantiza la desconexión permanente del aparato.

### Servicio:

- ◆ Cerciorarse que el servicio de mantenimiento del aparato sea realizado por personal especializado, y que caso de precisar consumibles/recambios, éstos sean originales.
- ◆ **ADVERTENCIA:** Existe el riesgo de incendio en caso de que la limpieza del aparato no se realice conforme a estas instrucciones.
- ◆ Toda utilización inadecuada, o en desacuerdo con las instrucciones de uso, puede comportar peligro, anulando la garantía y la responsabilidad del fabricante.

## DESCRIPCIÓN

- A Selector de potencia
- B Cable de alimentación
- C Función oscilación
- D Asa de transporte

Caso de que su modelo de aparato no disponga de los accesorios descritos anteriormente, éstos también pueden adquirirse por separado en los Servicios de Asistencia Técnica.

## MODO DE EMPLEO

### Notas previas al uso:

- ◆ Asegúrese de que ha retirado todo el material de embalaje del producto.
- ◆ Algunas partes del aparato han sido ligeramente engrasadas, en consecuencia, al poner en marcha el aparato por primera vez puede desprender un ligero humo. Al cabo de poco tiempo este humo cesará.
- ◆ Para eliminar el olor que desprende el aparato al utilizarlo por primera vez, se recomienda tenerlo en marcha a máxima potencia durante 2 horas en una habitación bien ventilada.
- ◆ Preparar el aparato acorde a la función que desee realizar:

### Uso:

- ◆ Desenrollar completamente el cable antes de enchufar.
- ◆ Enchufar el aparato a la red eléctrica.
- ◆ Orientar el aparato para dirigir el flujo de aire hacia la dirección deseada.
- ◆ Poner el aparato en marcha, accionando el mando selector de potencia (A).
- ◆ Seleccionar la potencia deseada.

### Calefactor:

- ◆ Seleccionar la potencia de calefacción deseada.

### Función oscilación:

- ◆ La función oscilación permite dirigir alternativamente y de forma automática el flujo del aparato, formando un abanico de unos 75°.
- ◆ Para activar esta función seleccione la posición (C).

### Una vez finalizado el uso del aparato:

- ◆ Parar el aparato, seleccionando la posición 0 del mando selector.
- ◆ Desenchufar el aparato de la red eléctrica.
- ◆ Limpiar el aparato.

### Asa/s de Transporte:

- ◆ Este aparato dispone de un asa en su parte superior para hacer fácil y cómodo su transporte (D).

### Dispositivo de seguridad antivuelco:

- ◆ El aparato dispone de un dispositivo de seguridad de antivuelco que desconecta el aparato en caso de que la posición de trabajo no sea la correcta.



Este símbolo significa que, si desea deshacerse del producto, una vez transcurrida la vida del mismo, debe depositarlo por los medios adecuados a manos de un gestor de residuos autorizado para la recogida selectiva de Residuos de Aparatos Eléctricos y Electrónicos (RAEE).

## LIMPIEZA

- ◆ Desenchufar el aparato de la red y dejarlo enfriar antes de iniciar cualquier operación de limpieza.
- ◆ Limpiar el aparato con un paño húmedo impregnado con unas gotas de detergente y secarlo después.
- ◆ No utilizar disolventes, ni productos con un factor pH ácido o básico como la lejía, ni productos abrasivos, para la limpieza del aparato.
- ◆ No deje entrar agua u otro líquido por las aberturas de ventilación para evitar daños en las partes operativas interiores del aparato.
- ◆ No sumergir el aparato en agua u otro líquido, ni ponerlo bajo el grifo.
- ◆ Nota: Cuando se ponga el aparato en marcha en función calefactor, después de estar una larga temporada parado o funcionando solo con la función ventilador, es posible que desprenda al principio un ligero humo, sin ninguna consecuencia, debido a que se está quemando el polvo y otras partículas acumuladas en el elemento calefactor. Este fenómeno se puede evitar limpiando previamente y a través de las rendijas del aparato, su interior con la ayuda de un aspirador o con un chorro de aire a presión.

Este aparato cumple con la Directiva 2014/35/EU de Baja Tensión, con la Directiva 2014/30/EU de Compatibilidad Electromagnética, con la Directiva 2011/65/EU sobre restricciones a la utilización de determinadas sustancias peligrosas en aparatos eléctricos y electrónicos y con la Directiva 2009/125/EC sobre los requisitos de diseño ecológico aplicable a los productos relacionados con la energía.

## GARANTÍA Y ASISTENCIA TÉCNICA

- ◆ Este producto goza del reconocimiento y protección de la garantía legal de acuerdo con la legislación vigente. Para hacer valer sus derechos o intereses, debe acudir a cualquiera de nuestros servicios oficiales de asistencia técnica.
- ◆ Puede encontrar el más cercano accediendo al siguiente enlace web: <http://www.2helpu.com/>.
- ◆ También puede solicitar información relacionada poniéndose en contacto con nosotros (consulte la última página del manual).
- ◆ Puede descargar este manual de instrucciones y sus actualizaciones en <http://www.2helpu.com/>.

## ANOMALÍAS Y REPARACIÓN

- ◆ En caso de avería llevar el aparato a un Servicio de Asistencia Técnica autorizado. No intente desmontarlo o repararlo ya que puede existir peligro.

### Para las versiones EU del producto y/o en el caso de que en su país aplique:

#### Ecología y reciclabilidad del producto

- ◆ Los materiales que constituyen el envase de este aparato, están integrados en un sistema de recogida, clasificación y reciclado de los mismos. Si desea deshacerse de ellos, puede utilizar los contenedores públicos apropiados para cada tipo de material.
- ◆ El producto está exento de concentraciones de sustancias que se puedan considerar dañinas para el medio ambiente.

La siguiente información detalla las características relacionadas con el diseño ecológico:

<b>Modelo: BXCSH900E</b>	
<b>Potencia calorífica</b>	
Potencia calorífica nominal P <sub>nom</sub>	0,9 kW
Potencia calorífica mínima (indicativa) P <sub>min</sub>	0,45 kW
Potencia calorífica máxima continuada P <sub>max</sub>	0,9 kW
<b>Consumo auxiliar de electricidad</b>	
A potencia calorífica nominal el <sub>max</sub>	0,00 kW
Potencia calorífica mínima el <sub>min</sub>	0,00 kW
En modo de espera el <sub>SB</sub>	0,00 kW
<b>Tipo de aportación de calor, únicamente para los aparatos de calefacción local eléctricos de acumulación</b>	
Control manual de la carga de calor, con termostato integrado	No
Control manual de la carga de calor con respuesta a la temperatura interior o exterior.	No
Control electrónico de la carga de calor con respuesta a la temperatura interior o exterior	No
Potencia calorífica asistida por ventiladores	No
<b>Tipo de control de potencia calorífica / de temperatura interior</b>	
Potencia calorífica de un solo nivel, sin control de temperatura interior	No
Dos o más niveles manuales, sin control de temperatura interior	Si
Con control de temperatura interior mediante termostato mecánico	No
Con control electrónico de temperatura interior	No
Control electrónico de temperatura interior y temporizador diario	No
Control electrónico de temperatura interior y temporizador semanal	No
<b>Otras opciones de control</b>	
Control de temperatura interior con detección de presencia	No
Control de temperatura interior con detección de ventanas abiertas	No
Con opción de control a distancia	No
Con control de puesta en marcha adaptable	No
Con limitación de tiempo de funcionamiento	No
Con sensor de lámpara negra	No
Información de contacto: Engineering and Technology for Life, S.L., Avda. Barcelona, s/n, Oliana, 25790, Spain	

## Aquecedor de carbono BXCSH900E

### Caro cliente:

Obrigado por ter adquirido um produto da marcaBLACK+DECKER.

A sua tecnologia, design e funcionalidade, aliados às mais rigorosas normas de qualidade, garantirá-lhe uma total satisfação durante muito tempo.

- ◆ Leia atentamente este manual de instruções antes de ligar o aparelho e guarde-o para consultas futuras. A não observância e cumprimento destas instruções pode resultar em acidente.

## CONSELHOS E ADVERTÊNCIAS DE SEGURANÇA

- ◆ **PRECAUÇÕES: Algumas partes deste produto podem aquecer bastante e causar queimaduras. Deve prestar-se particular atenção quando crianças e pessoas de risco estiverem presentes.**
- ◆ O aparelho não deve ser colocado por baixo de uma tomada de corrente elétrica.
- ◆ Mantenha as crianças com menos de 3 anos de idade afastadas do aparelho, exceto se estiverem sob supervisão contínua.
- ◆ As crianças dos 3 aos 8 anos só devem ligar/desligar o aparelho quando este tiver sido colocado ou instalado na posição de funcionamento normal prevista e desde que estejam sob supervisão ou tenham recebido instruções relativas à utilização segura do aparelho e entenderem os riscos que este comporta.
- ◆ Este aparelho pode ser utilizado por pessoas não familiarizadas com a sua utilização, pessoas incapacitadas ou crianças a partir dos 8 anos, desde que o façam sob supervisão ou tenham recebido formação sobre a utilização segura do aparelho e compreendam os perigos que este acarreta.
- ◆ As crianças não devem realizar operações de limpeza ou manutenção do aparelho, a menos que se encontrem sob a supervisão de um adulto.
- ◆ As crianças dos 3 aos 8 anos não devem ligar, regular e limpar o aparelho ou realizar operações de manutenção.
- ◆ Este aparelho não é um brinquedo. As crianças devem ser vigiadas para garantir que não brincam com o aparelho.
- ◆ Não utilize o aparelho perto de uma banheira, duche ou piscina.
- ◆ **ADVERTÊNCIA:** Este aparelho não está equipado com um dispositivo de controlo de temperatura ambiente. Este aparelho não está equipado com um dispositivo de controlo de temperatura ambiente. Não utilize este aparelho em divisões pequenas onde se encontrem pessoas

incapacitadas, incapazes de abandonar o quarto por meios próprios, a menos que estejam sob constante vigilância.

- ◆ Se a ligação à corrente estiver danificada, deverá ser substituída. Leve o aparelho a um Serviço de Assistência Técnica autorizado. A fim de evitar o perigo, não tente desmontá-lo ou repará-lo sozinho.
- ◆ Este aparelho foi concebido exclusivamente para uso doméstico, não para uso profissional ou industrial.



Este símbolo significa que o produto não deve ser tapado.

- ◆ **ADVERTÊNCIA:** Para evitar o sobreaquecimento, não cubra o aparelho.
- ◆ **AVISO:** Para reduzir o risco de incêndio, mantenha os tecidos, cortinas ou qualquer outro material inflamável a uma distância mínima de 1 metro da saída de ar.
- ◆ Não use o aparelho se ele tiver caído.
  - ◆ Antes de ligar o aparelho à corrente, verifique se a tensão indicada na placa de características corresponde à tensão da rede.
  - ◆ Ligue o aparelho a uma tomada elétrica com ligação a terra e que suporte 10 amperes.
  - ◆ A ficha do aparelho deve coincidir com a tomada de corrente elétrica. Nunca modifique a ficha. Não use adaptadores de ficha.
  - ◆ Utilize o aparelho numa zona bem ventilada.
  - ◆ Deverá haver uma ventilação adequada da divisão, caso na divisão onde o aparelho está instalado forem utilizados simultaneamente outros aparelhos a gás ou

com outro tipo de combustível.

- ◆ O aparelho deve ser utilizado e colocado sobre uma superfície plana e estável.
- ◆ Não coloque o aparelho próximo de materiais combustíveis como materiais têxteis, cartão, papel, etc.
- ◆ Não coloque materiais combustíveis nas proximidades do aparelho.
- ◆ Evite que a entrada e a saída de ar fiquem total ou parcialmente tapadas por móveis, cortinas, roupas, etc., devido ao risco de incêndio.
- ◆ Não utilize o aparelho associado a um programador, temporizador ou outro dispositivo que o ligue automaticamente.
- ◆ Não utilize o aparelho se tiver o cabo elétrico ou a ficha danificados.
- ◆ Se algum dos revestimentos do aparelho se partir, desligue imediatamente o aparelho da corrente para evitar a possibilidade de sofrer um choque elétrico.
- ◆ **ADVERTÊNCIA:** Não molhe o aparelho.
- ◆ **ADVERTÊNCIA:** Não utilize o aparelho perto de água.
- ◆ Não utilize o aparelho com as mãos ou com os pés húmidos, nem com os pés descalços.
- ◆ Não force o cabo elétrico. Nunca utilize o cabo de alimentação para levantar, transportar ou desligar o aparelho da corrente.
- ◆ Não enrole o cabo no aparelho.
- ◆ Não deixe que o cabo elétrico fique preso ou dobrado.
- ◆ Evite que o cabo entre em contacto com as superfícies quentes do aparelho.
- ◆ Mantenha o aparelho longe de fontes de calor e de arestas.
- ◆ Verifique o estado do cabo de elétrico. Os cabos danificados ou entrelaçados aumentam o risco de choque elétrico.
- ◆ O cabo de alimentação deve ser examinado regularmente quanto a danos e, se estiver danificado, o aparelho não deve ser utilizado.
- ◆ Não utilize nem guarde o aparelho ao ar livre.
- ◆ Não exponha o aparelho à chuva ou a condições de humidade. A água que entrar no aparelho aumentará o risco de choque elétrico.
- ◆ Não toque na ficha de ligação com as mãos molhadas.
- ◆ As pessoas insensíveis ao calor não devem utilizar o aparelho (já que este tem superfícies aquecidas).
- ◆ Não toque nas partes quentes do aparelho, uma vez que podem provocar queimaduras graves.

### Utilização e cuidados:

- ◆ Antes de cada utilização, desenrole completamente o

cabo de alimentação do aparelho.

- ◆ Não utilize o aparelho se o dispositivo de ligar/desligar não funcionar.
- ◆ Não desloque o aparelho enquanto estiver em funcionamento.
- ◆ Utilize a(s) pega(s) para segurar ou transportar o aparelho.
- ◆ Não utilize o aparelho inclinado ou invertido.
- ◆ Não vire o aparelho ao contrário enquanto estiver a ser utilizado ou ligado à rede elétrica.
- ◆ Se utilizar o aparelho na casa de banho ou num sítio semelhante, desligue-o da rede elétrica quando não estiver a ser utilizado, ainda que seja por pouco tempo, pois a proximidade de água representa um risco, mesmo com o aparelho desligado.
- ◆ Desligue o aparelho da corrente quando não estiver a ser utilizado e antes de iniciar qualquer operação de limpeza.
- ◆ Guarde o aparelho fora do alcance das crianças e de pessoas com capacidades físicas, sensoriais ou mentais reduzidas, ou com falta de experiência e conhecimento.
- ◆ Assegure-se de que as grelhas de ventilação do aparelho não ficam obstruídas por pó, sujidade ou outros objectos.
- ◆ Nunca deixe o aparelho sem vigilância.
- ◆ Nunca deixe o aparelho ligado e sem vigilância. Além disso, poupará energia e prolongará a vida do aparelho.
- ◆ Não utilize o aparelho para secar animais.
- ◆ Não utilize o aparelho para secar peças de vestuário.
- ◆ **ADVERTÊNCIA:** Não adormeça enquanto estiver a usar este aparelho, uma vez que existe o risco de danos pessoais
- ◆ Colocar o termóstato na posição de mínimo (MIN) não garante que o aparelho fique totalmente desligado.

### **Serviço técnico:**

- ◆ Certifique-se de que o serviço de manutenção do aparelho é realizado por pessoal especializado e que, caso o aparelho necessite de consumíveis/peças de substituição, estas sejam de origem.
- ◆ **ADVERTÊNCIA:** Existe risco de incêndio caso a limpeza do aparelho não seja realizada conforme estas instruções.
- ◆ Qualquer utilização inadequada ou em desacordo com as instruções de utilização pode ser perigosa e anula a garantia e a responsabilidade do fabricante.

## **DESCRIÇÃO**

- A Seletor de potência
- B Cabo de alimentação
- C Função de oscilação
- D Pega de transporte

Caso o seu modelo do aparelho não disponha dos acessórios descritos anteriormente, pode adquiri-los separadamente nos Serviços de Assistência Técnica.

## **MODO DE UTILIZAÇÃO**

### **Notas para antes da utilização:**

- ◆ Certifique-se de que retirou todo o material de embalagem do produto.
- ◆ Aquando da primeira utilização, o aparelho poderá libertar fumos devido ao facto de algumas partes do aparelho terem sido levemente lubrificadas. Ao fim de pouco tempo o fumo desaparecerá.
- ◆ Para eliminar o cheiro que o aparelho liberta aquando da primeira utilização, é recomendável colocá-lo em funcionamento na potência máxima durante 2 horas numa divisão bem ventilada.
- ◆ Prepare o aparelho consoante a função pretendida:

### **Utilização:**

- ◆ Desenrole completamente o cabo antes de o ligar à tomada.
- ◆ Ligue o aparelho à corrente elétrica.
- ◆ Oriente o aparelho para dirigir o fluxo de ar na direção desejada.
- ◆ Coloque o aparelho em funcionamento, acionando o Comando seletor de velocidade (A).
- ◆ Selecione a potência desejada.

### **Função de Aquecimento:**

- ◆ Selecione a potência de aquecimento pretendida.

### **Função de oscilação:**

- ◆ A função de oscilação permite dirigir o fluxo de ar que sai do aparelho e cobrir alternativamente e de modo automático um raio até 75°.
- ◆ Para ativar esta função selecione a posição (C).

### **Uma vez concluída a utilização do aparelho:**

- ◆ Pare o aparelho, selecionando a posição 0 do comando

seletor.

- ◆ Desligue o aparelho da corrente elétrica.
- ◆ Limpe o aparelho.

### Pega(s) de Transporte:

- ◆ Este aparelho dispõe de uma pega na sua parte superior para o transporte ser fácil e cómodo (D).

### Dispositivo de segurança anti-inclinação:

- ◆ O aparelho dispõe de um dispositivo de segurança anti-inclinação que desliga o aparelho no caso de a posição de trabalho não estar correta.

## LIMPEZA

- ◆ Desligue o aparelho da corrente e deixe-o arrefecer antes de iniciar qualquer operação de limpeza.
- ◆ Limpe o aparelho com um pano húmido com algumas gotas de detergente e seque-o de seguida.
- ◆ Não utilize solventes, produtos com um fator pH ácido ou básico como a lixívia, nem produtos abrasivos para a limpeza do aparelho.
- ◆ Não deixe entrar água ou outro líquido pelas aberturas de ventilação para evitar danos nas partes operativas interiores do aparelho.
- ◆ Nunca mergulhe o aparelho dentro de água ou em qualquer outro líquido, nem o coloque debaixo da torneira.
- ◆ Nota: Se colocar o aparelho em funcionamento na função de aquecimento, após este estar muito tempo parado ou a funcionar só com a função de ventilação, é possível que inicialmente se liberte um ligeiro fumo, sem quaisquer consequências, devido a estar a queimar o pó e outras partículas acumuladas no elemento de aquecimento. É possível evitar este fenómeno se limpar previamente o seu interior, através das ranhuras do aparelho, com a ajuda de um aspirador ou com um jato de ar a pressão.

## ANOMALIAS E REPARAÇÃO

- ◆ Em caso de avaria leve o aparelho a um Serviço de Assistência Técnica autorizado. Não tente desmontar ou reparar o aparelho, já que tal acarreta perigos.

## Para as versões EU do produto e/ou caso aplicável no seu país:

### Ecologia e reciclagem e do produto

- ◆ Os materiais que constituem a embalagem deste aparelho estão integrados num sistema de recolha, classificação e reciclagem. Se desejar eliminá-los, utilize os contentores de reciclagem colocados à disposição para cada tipo de material.
- ◆ O produto está isento de concentrações de substâncias que possam ser consideradas nocivas para o ambiente



Este símbolo significa que se desejar desfazer-se do produto depois de terminada a sua vida útil, deve entregá-lo através dos meios adequados ao cuidado de um gestor de resíduos autorizado para a recolha seletiva de Resíduos de Equipamentos Elétricos e

Eletrónicos (REEE).

Este aparelho cumpre a Diretiva 2014/35/EU de Baixa Tensão, a Diretiva 2014/30/EU de Compatibilidade Eletromagnética, a Diretiva 2011/65/EU sobre restrições à utilização de determinadas substâncias perigosas em aparelhos elétricos e eletrónicos e a Diretiva 2009/125/EC sobre os requisitos de design ecológico aplicável aos produtos relacionados com a energia.

## GARANTIA E ASSISTÊNCIA TÉCNICA

- ◆ Este produto goza do reconhecimento e proteção da garantia legal em conformidade com a legislação em vigor. Para fazer valer os seus direitos ou interesses, deve recorrer sempre aos nossos serviços oficiais de assistência técnica.
- ◆ Poderá encontrar o mais próximo de si através do seguinte website: <http://www.2helpu.com/>.
- ◆ Também pode solicitar informações relacionadas, pon-do-se em contacto connosco (consulte a última página do manual).
- ◆ Pode fazer o download deste manual de instruções e suas atualizações em <http://www.2helpu.com/>.

A seguinte informação detalha as características do design ecológico:

<b>Modelo: BXCSH900E</b>	
<b>Potência calorífica</b>	
Potência calorífica nominal P <sub>nom</sub>	0,9 kW
Potência calorífica mínima (indicativa) P <sub>min</sub>	0,45 kW
Potência calorífica máxima continuada P <sub>max</sub>	0,9 kW
<b>Consumo auxiliar de energia elétrica</b>	
A potência calorífica nominal el.max	0,00 kW
A potência calorífica mínima elmin	0,00 kW
No modo de espera el.SB	0,00 kW
<b>Tipo de transmissão de calor, apenas aparelhos de aquecimento local elétricos de acumulação</b>	
Controlo manual da carga de calor, com termóstato integrado	Não
Controlo manual da carga de calor com resposta à temperatura interior ou exterior.	Não
Controlo eletrónico da carga de calor com resposta à temperatura interior ou exterior.	Não
Potência calorífica assistida por ventiladores	Não
<b>Tipo de controlo da potência calorífica/da temperatura interior</b>	
Potência calorífica de um só nível, sem controlo da temperatura interior	Não
Dois ou mais níveis manuais, sem controlo da temperatura interior	Sim
Com controlo da temperatura interior mediante um termóstato mecânico	Não
Com controlo eletrónico da temperatura interior	Não
Controlo eletrónico da temperatura interior e temporizador diário	Não
Controlo eletrónico da temperatura interior e temporizador semanal	Não
<b>Outras opções de controlo</b>	
Controlo da temperatura interior com deteção de presença	Não
Controlo da temperatura interior com deteção de janelas abertas	Não
Com opção de controlo remoto	Não
Com controlo de ligação adaptável	Não
Com limitação do tempo de funcionamento	Não
Com sensor de lâmpada negra	Não
Dados de contacto: Engineering and Technology for Life, S.L., Avda. Barcelona, s/n, Oliana, 25790, Espanha	

## Koolstofverwarmer BXCSH900E

### Geachte klant:

We danken u voor de aankoop van een product van het merkBLACK+DECKER.

De technologie, het ontwerp en de functionaliteit van dit product, dat voldoet aan de meest strikte kwaliteitseisen, staan garant voor langdurige tevredenheid.

- ◆ Neem deze gebruiksaanwijzing aandachtig door voordat u het apparaat in gebruik neemt en bewaar haar voor toekomstig gebruik. Het niet opvolgen en naleven van deze instructies kan een ongeluk tot gevolg hebben.

## VEILIGHEIDSADVIEZEN EN WAARSCHUWINGEN

- ◆ **LET OP: Een aantal delen van dit apparaat kunnen erg warm worden en brandwonden veroorzaken. Voorzichtigheid is met name geboden wanneer kinderen of kwetsbare personen aanwezig zijn.**
- ◆ Het apparaat mag niet onder een stopcontact geplaatst worden.
- ◆ Kinderen jonger dan 3 jaar moeten buiten het bereik van het apparaat gehouden worden, tenzij ze onder continu toezicht staan.
- ◆ Kinderen van 3 tot en met 7 jaar mogen het apparaat enkel aan- en uitzetten indien het op de standaard manier geplaatst of geïnstalleerd is. Deze kinderen moeten altijd onder toezicht staan of aanwijzingen ontvangen hebben over het veilige gebruik van het apparaat en de risico's begrijpen die het apparaat met zich meebrengt.
- ◆ Dit toestel mag, onder toezicht, door personen met lichamelijke, zintuiglijke of geestelijke beperkingen, of met een gebrek aan ervaring en kennis, of kinderen vanaf 8 jaar gebruikt worden, mits zij voldoende informatie ontvangen hebben om het toestel op een veilige manier te kunnen gebruiken en de gevaren kennen.
- ◆ Door de gebruiker te verrichten reiniging en onderhoud mag alleen door kinderen uitgevoerd worden als zij daarbij onder toezicht staan.
- ◆ Kinderen tussen 3 en 8 jaar mogen het apparaat niet aansluiten op het lichtnet, afstellen of schoonmaken, of onderhoudstaken aan het apparaat uitvoeren.
- ◆ Dit apparaat is geen speelgoed. Houd toezicht op kinderen om er zeker van te zijn dat ze niet met het apparaat spelen.
- ◆ Het apparaat niet gebruiken in de buurt van een bad, een douche of een zwembad.
- ◆ **WAARSCHUWING** Dit apparaat is niet uitgerust met een systeem om de omgevingstemperatuur te bepalen. Gebruik dit toestel niet in kleine kamers waar zich gehandicapte personen bevinden die de kamer niet

op eigen kracht kunnen verlaten, tenzij er permanent toezicht wordt gehouden.

- ◆ Als het netsnoer beschadigd is, moet het worden vervangen. Breng het apparaat naar een erkende technische service. Probeer het apparaat niet zelf te demonteren of repareren om risico's te vermijden.
- ◆ Dit apparaat is alleen bedoeld voor huishoudelijk gebruik, niet voor professioneel of industrieel gebruik.



Dit symbool geeft aan dat het toestel niet afgedekt mag worden.

- ◆ **WAARSCHUWING** Bedek het apparaat niet om oververhitting te voorkomen.
- ◆ **WAARSCHUWING:** Om het risico op brand te verkleinen, houdt u textiel, gordijnen of ander brandbaar materiaal op een afstand van minimaal 1 meter van de luchtuitlaat.
- ◆ **Gebruik het apparaat niet als het is gevallen.**
  - ◆ Controleer dat de spanningsgegevens op het typeplaatje overeenkomen met die van het stroomnet alvorens het apparaat erop aan te sluiten.
  - ◆ Sluit het apparaat aan op een stopcontact dat tenminste 10 Ampère kan leveren.
  - ◆ De stekker van het apparaat moet geschikt zijn voor het stopcontact. Wijzig de stekker niet. Gebruik geen adapters.
  - ◆ Gebruik het apparaat in een goed geventileerde ruimte.
  - ◆ De ruimte moet over voldoende ventilatie beschikken, wanneer er in de ruimte waar het apparaat staat nog andere apparaten die op gas of een andere brandstof werken gebruikt kunnen worden.

- ◆ Plaats het apparaat voor gebruik op een vlak en stabiel oppervlak.
- ◆ Plaats het apparaat ver van brandbare materialen zoals textiel, karton en papier.
- ◆ Houd brandbare stoffen uit de buurt van het toestel.
- ◆ Verzeker u ervan dat de luchttoevoer en –uitvoer niet geheel of gedeeltelijk belemmerd worden door meubels, gordijnen, kleren, etc., hierdoor kan immers brandgevaar ontstaan.
- ◆ Sluit het apparaat nooit aan op een programmeur, timer of een ander mechanisme dat het apparaat automatisch inschakelt.
- ◆ Gebruik het apparaat niet wanneer de voedingskabel of de stekker beschadigd is.
- ◆ Als een deel van de behuizing beschadigd wordt moet u de stekker van het apparaat onmiddellijk uit het stopcontact trekken om een elektrische schok te voorkomen.
- ◆ **WAARSCHUWING** Houd het apparaat droog.
- ◆ **WAARSCHUWING** Gebruik het apparaat niet in de buurt van water.
- ◆ Gebruik het apparaat niet met vochtige handen of voeten, noch blootsvoets.
- ◆ Forceer het stroomsnoer niet. Gebruik het snoer nooit om het apparaat op te tillen, te transporteren of om de stekker uit het stopcontact te trekken.
- ◆ Wikkel het stroomsnoer niet om het apparaat.
- ◆ Zorg ervoor dat het stroomsnoer niet bekneld of geknikt wordt.
- ◆ Zorg ervoor dat het stroomsnoer niet in contact komt met de hete oppervlakken van het apparaat.
- ◆ Houdt het apparaat verwijderd van warmtebronnen, olie, scherpe hoeken en bewegende onderdelen.
- ◆ Controleer de staat van de elektriciteitskabel. Kapotte kabels of kabels die in de war zijn vergroten het risico van elektrische schokken.
- ◆ Controleer regelmatig dat het snoer niet beschadigd is. Gebruik het apparaat niet als het snoer beschadigd is.
- ◆ Bewaar of gebruik het apparaat niet buitenshuis.
- ◆ Stel het apparaat niet aan regen of vochtigheid bloot. Water dat in het apparaat komt vergroot het risico van een elektrische schok.
- ◆ Raak de stekker niet met natte handen aan.
- ◆ Personen die geen warmte voelen moeten het apparaat niet gebruiken (aangezien het apparaat oppervlakken heeft die heet worden).
- ◆ Raak de verhitte delen van het toestel niet aan, aangezien daardoor ernstige brandwonden kunnen ontstaan.

**Gebruik en onderhoud:**

- ◆ Rol voor gebruik het netsnoer van het apparaat volledig af.
- ◆ Gebruik het apparaat niet als de aan/uit knop niet werkt.
- ◆ Verplaats het apparaat niet terwijl het in gebruik is.
- ◆ Gebruik de handgreep/handgrepen om het apparaat op te tillen of te verplaatsen.
- ◆ Gebruik het apparaat niet wanneer het scheef staat en houd het niet ondersteboven.
- ◆ Keer het apparaat niet om terwijl het in gebruik is of aangesloten is op het lichtnet.
- ◆ Als u het apparaat gebruikt in de badkamer of vergelijkbare ruimte, trek de stekker uit het stopcontact als u het apparaat niet gebruikt, ook al is het maar voor een korte periode, aangezien de nabijheid van water een risico vormt, zelfs wanneer het apparaat uitgeschakeld is.
- ◆ Trek de stekker uit het stopcontact wanneer het apparaat niet in gebruik is en alvorens het te reinigen.
- ◆ Houd dit apparaat buiten bereik van kinderen en/of personen met lichamelijke, zintuiglijke of geestelijke beperkingen, of met een gebrek aan ervaring en kennis.
- ◆ Controleer dat de ventilatioosters van het apparaat niet verstopt raken met stof, vuil of voorwerpen.
- ◆ Laat het apparaat nooit onbewaakt tijdens gebruik.
- ◆ Laat het apparaat nooit zonder toezicht aan staan. U bespaart hierdoor energie en verlengt tevens de levensduur van het apparaat.
- ◆ Gebruik het apparaat niet om (huis-)dieren te drogen.
- ◆ Gebruik het apparaat niet om kledingstukken te drogen.
- ◆ **WAARSCHUWING** Val tijdens het gebruik van dit apparaat niet in slaap; hierdoor kan schade ontstaan.
- ◆ De thermostaatregelaar op de minimum positie (MIN) zetten garandeert niet dat het apparaat permanent uitgeschakeld is.

**Reparaties:**

- ◆ Verzekeer u ervan dat het onderhoud van het apparaat door een deskundige wordt uitgevoerd en dat de eventuele te vervangen onderdelen originele onderdelen zijn.
- ◆ **WAARSCHUWING** Er bestaat brandgevaar als het apparaat niet volgens deze instructies wordt gereinigd.
- ◆ Onjuist gebruik of een gebruik dat niet overeenstemt met de gebruiksaanwijzing kan gevaar inhouden en doet de garantie en de aansprakelijkheid van de fabrikant teniet.

**BESCHRIJVING**

- A Vermogenregelaar
- B Voedingskabel

- C Oscilleerfunctie
- D Handvat voor verplaatsen

Mocht het model van uw apparaat niet beschikken over de hiervoor beschreven hulpstukken, dan kunt u deze ook apart verkrijgen bij de Technische Service.

**GEBRUIKSAANWIJZING****Opmerkingen voorafgaand aan het gebruik:**

- ◆ Controleer dat al het verpakkingsmateriaal van het product verwijderd is.
- ◆ Enkele delen van het strijkijzer zijn licht gesmeerd, waardoor het apparaat bij het eerste gebruik enigszins kan roken. Na korte tijd stopt dit vanzelf.
- ◆ Zet het apparaat de eerste keer ongeveer 2 uur op de hoogste stand, het liefst in een goed geventileerde ruimte, om de fabrieksgeur te verwijderen.
- ◆ Breng het apparaat in gereedheid in overeenstemming met de gewenste functie:

**Gebruik:**

- ◆ Rol het snoer helemaal af alvorens de stekker in het stopcontact te steken.
- ◆ Steek de stekker in het stopcontact.
- ◆ Zet het apparaat zo dat de luchtstroom in de gewenste richting gaat.
- ◆ Zet het apparaat aan met de vermogensregelaar (A).
- ◆ Selecteer het gewenste vermogen.

**Verwarmingsfunctie:**

- ◆ Kies het gewenste verwarmingsvermogen.

**Oscilleerfunctie:**

- ◆ De oscilleerfunctie maakt het mogelijk om de richting van de luchtstroom van het apparaat automatisch te heen en weer te laten gaan over een hoek van 75°.
- ◆ Activeer deze functie door de schakelaar in stand (C) te zetten.

**Na gebruik van het apparaat:**

- ◆ Zet het apparaat uit door de keuzeknop op 0 te zetten.
- ◆ Trek de stekker uit het stopcontact.
- ◆ Reinig het apparaat.

**Handvat(en) voor transport:**

- ◆ Dit apparaat beschikt over een handvat aan de

bovenzijde om het eenvoudig en makkelijk te kunnen transporteren(D).



Dit symbool betekent dat u het product aan het eind van zijn levenscyclus moet afgeven aan een erkende afvalverwerker ten behoeve van de gescheiden verwerking van Afgedankte Elektrische en Elektronische Apparatuur (AEEA).

## Bescherming tegen omvallen:

- ◆ Het apparaat beschikt over een veiligheidssysteem dat het apparaat uitschakelt als het omvalt of als het apparaat niet in de juiste stand staat voor gebruik.

## REINIGING

- ◆ Trek de stekker uit het stopcontact en laat het apparaat afkoelen alvorens het te reinigen.
- ◆ Maak het apparaat schoon met een vochtige doek met een paar druppels afwasmiddel en droog het daarna goed af.
- ◆ Gebruik geen oplosmiddelen of producten met een zure of basische pH zoals bleekwater, noch schuurmiddelen, om het apparaat schoon te maken.
- ◆ Zorg ervoor dat er geen water of andere vloeistof binnendringt via de ventilatie-openingen, om schade aan de functionele delen in het inwendige van het apparaat te voorkomen.
- ◆ Dompel het apparaat niet onder in water of een andere vloeistof en houd het niet onder de kraan.
- ◆ Opmerking: Wanneer u het apparaat laat opwarmen nadat het lange tijd buiten gebruik is geweest of u het alleen als ventilator heeft gebruikt, kan er aanvankelijk enige rook uit het apparaat komen. Dit is niet ernstig en is het gevolg van het verbranden van stof of andere deeltjes op het verwarmingselement. Dit kan voorkomen worden door de binnenkant van het apparaat eerst schoon te maken door de gleuven van het apparaat met een stofzuiger of een perslucht pistool.

Dit apparaat voldoet aan de Laagspanningsrichtlijn 2014/35/EU, de Richtlijn 2014/30/EU met betrekking tot elektromagnetische compatibiliteit, de Richtlijn 2011/65/EU met betrekking tot beperkingen in de toepassing van bepaalde gevaarlijke stoffen in elektrische en elektronische apparaten en de Richtlijn 2009/125/EG met betrekking tot de eisen inzake het ecologisch ontwerp van energie-geregelde producten.

## GARANTIE EN TECHNISCHE ONDERSTEUNING

- ◆ Dit product valt onder de legale garantievoorwaarden zoals bepaald in de actuele wetgeving. Om een beroep te doen op uw rechten of aanspraken kunt u contact opnemen met onze officiële technische service.
- ◆ U kunt de dichtstbijzijnde technische service vinden op de website: <http://www.2helpu.com/>
- ◆ Voor verdere informatie kunt u ook contact met ons opnemen (zie de laatste bladzijde van de gebruiksaanwijzing).
- ◆ U kunt deze gebruiksaanwijzing en eventuele actualiseringen ervan downloaden via <http://www.2helpu.com/>.

## STORINGEN EN REPARATIE

- ◆ Breng het apparaat bij storing naar een erkende Technische Dienst. Probeer het apparaat niet zelf te demonteren of te repareren, want dit kan gevaarlijk zijn.

## Voor EU-versies van het product en/of indien van toepassing in uw land:

### Ecologie en hergebruik van het product

- ◆ Het verpakkingsmateriaal van dit apparaat is geschikt voor inzameling, classificatie en hergebruik. U kunt dit materiaal wegwerpen in de openbare afvalcontainers die voor de desbetreffende typen materiaal zijn bestemd.
- ◆ Het product bevat geen materialen die schadelijk zijn voor het milieu.

De volgende informatie specificeert de eigenschappen van het ecologisch ontwerp:

<b>Model: BXCSH900E</b>	
<b>Verwarmingsvermogen</b>	
Nominaal verwarmingsvermogen P <sub>nom</sub>	0,9 kW
Minimaal verwarmingsvermogen (indicatief) P <sub>min</sub>	0,45 kW
Maximaal continu verwarmingsvermogen P <sub>max</sub>	0,9 kW
<b>Additioneel energieverbruik</b>	
Bij nominaal verwarmingsvermogen el <sub>max</sub>	0,00 kW
Bij minimaal verwarmingsvermogen el <sub>min</sub>	0,00 kW
In de stand-by stand el <sub>SB</sub>	0,00 kW
<b>Type verwarming, uitsluitend voor elektrische verwarmingssystemen op basis van accumulatie</b>	
Handmatige regeling van de verwarming met geïntegreerde thermostaat	Nee
Handmatige regeling van de verwarming als functie van inwendige of uitwendige temperatuur.	Nee
Elektronische regeling van de verwarming als functie van de inwendige of uitwendige temperatuur	Nee
Verwarmingsvermogen bijgestaan door ventilators	Nee
<b>Type regeling verwarmingsvermogen/inwendige temperatuur</b>	
Unieke stand verwarmingsvermogen, geen regeling inwendige temperatuur	Nee
Twee of meer met de hand instelbare standen, geen regeling inwendige temperatuur	Ja
Met regeling inwendige temperatuur via een mechanische thermostaat	Nee
Met elektronische regeling van inwendige temperatuur	Nee
Elektronische regeling inwendige temperatuur en dagelijkse timer	Nee
Elektronische regeling inwendige temperatuur en wekelijkse timer	Nee
<b>Andere besturingssystemen</b>	
Regeling inwendige temperatuur met aanwezigheidsdetectie	Nee
Regeling inwendige temperatuur met detectie open ramen	Nee
Met optionele afstandsbediening	Nee
Met instelbare inschakeling	Nee
Met beperking van werkingsduur	Nee
Met zwartlichtlamp sensor	Nee
Contactgegevens: Engineering and Technology for Life, S.L., Avda. Barcelona, s/n, Oliana, 25790, Spain	

## Piec węglowy BXCSH900E

### Szanowny Kliencie,

Serdecznie dziękujemy za zdecydowanie się na zakup sprzętu gospodarstwa domowego marki BLACK+DECKER..

Jego technologia, forma i funkcjonalność, jak również fakt, że spełnia on wszelkie normy jakości, dostarczy Państwu pełnej satysfakcji przez długi czas.

- ◆ Przeczytać uważnie instrukcję przed uruchomieniem urządzenia i zachować ją w celu późniejszych konsultacji. Niedostosowanie się i nieprzestrzeganie niniejszych instrukcji może doprowadzić do wypadku.

## PORADY I OSTRZEŻENIA DOTYCZĄCE BEZPIECZEŃSTWA

- ◆ **UWAGA: Niektóre części tego urządzenia mogą się bardzo nagrzać i spowodować oparzenia. Należy szczególnie uważać, jeśli w pobliżu znajdują się dzieci i inne osoby, które mogą być narażone.**
- ◆ Urządzenie nie powinno być ustawione pod gniazdkiem elektrycznym.
- ◆ Dzieci poniżej 3 lat powinny się znajdować poza zasięgiem urządzenia o ile nie ma nad nimi nadzoru.
- ◆ Dzieci powyżej 3 lat i poniżej 8 lat mogą tylko włączyć/wyłączyć urządzenie pod warunkiem, że jest ono umieszczone lub zainstalowane w normalnej przewidzianej pozycji i jeśli jest nad nimi nadzór lub uzyskały instrukcje odnośnie użytkowania urządzenia w sposób bezpieczny i są świadome wynikających z urządzenia zagrożeń.
- ◆ To urządzenie może być używane przez dzieci w wieku 8 lat i powyżej oraz osoby o ograniczonej sprawności fizycznej, sensorycznej lub umysłowej lub nieposiadające doświadczenia i wiedzy, jeżeli były one nadzorowane lub odpowiednio przeszkolone w zakresie korzystania z urządzenia w sposób bezpieczny i rozumieją zagrożenia z tego wynikające.
- ◆ Czyszczenie i konserwacja urządzenia nie powinny być wykonywane przez dzieci bez nadzoru dorosłych.
- ◆ Dzieci powyżej 3 lat i poniżej 8 lat nie powinny uruchamiać, regulować ani czyścić urządzenia ani wykonywać czynności konserwacyjnych.
- ◆ To urządzenie nie jest zabawką. Dzieci powinny pozostać pod czujną opieką w celu zagwarantowania iż nie bawią się urządzeniem.
- ◆ Nie używać urządzenia w pobliżu wanny, prysznicza czy basenu.
- ◆ **OSTRZEŻENIE** To urządzenie nie jest wyposażone w system kontroli temperatury pomieszczenia. Nie należy używać urządzenia w małych pomieszczeniach, w których przebywają osoby niepełnosprawne lub które nie będą mogły opuścić pomieszczenia w razie zagrożenia.

- ◆ W razie awarii zanieść produkt do autoryzowanego Serwisu Technicznego. Nie próbować rozbierać urządzenia ani go naprawiać, ponieważ może to być niebezpieczne.
- ◆ Urządzenie to zaprojektowane zostało wyłącznie do użytku domowego, a nie do użytku profesjonalnego czy przemysłowego.



en symbol oznacza, że urządzenie nie może być przykryte w czasie pracy.

- ◆ **OSTRZEŻENIE** Aby uniknąć przegrzania nie przykrywać urządzenia.
- ◆ **OSTRZEŻENIE:** Aby zmniejszyć ryzyko pożaru, tekstylii, zasłony lub inne łatwopalne materiały należy trzymać w odległości co najmniej 1 metra od wylotu powietrza.
- ◆ Nie używaj urządzenia, jeśli zostało upuszczone.
  - ◆ Przed podłączeniem urządzenia do sieci, sprawdzić czy napięcie wskazane na tabliczce znamionowej odpowiada napięciu sieci.
  - ◆ Podłączać urządzenie do sieci elektrycznej o sile co najmniej 10 amperów.
  - ◆ Wtyczka urządzenia powinna być zgodna z podstawą elektryczną gniazdka. Nigdy nie modyfikować wtyczki. Nie używać przejściówek dla wtyczki.
  - ◆ Używać urządzenie w strefie z dobrą wentylacją.
  - ◆ Pomieszczenie musi być wyposażone w odpowiednią wentylację, jeśli w tym samym pomieszczeniu będą instalowane i używane jednocześnie inne urządzenia zasilane gazem lub innym paliwem.
  - ◆ Urządzenie powinno być ustawiane i używane na powierzchni płaskiej i stabilnej.
  - ◆ Umieścić urządzenie z daleka od materiałów łatwopalnych, takich jak tkaniny, karton, papier...
  - ◆ Nie ustawiać urządzenia w pobliżu materiałów łatwo-

palnych.

- ◆ Należy upewnić się, że zarówno wlot i wylot powietrza nie są zakryte obcymi materiałami jak odzież, zasłony itd. gdy może to grozić pożarem.
- ◆ Nie należy używać z urządzeniami automatycznymi jak czasomierze lub podobne.
- ◆ Nie używać urządzenia, gdy kabel elektryczny lub wtyczka jest uszkodzona.
- ◆ Jeśli popełka jakiś element obudowy urządzenia, natychmiast wyłączyć urządzenie z prądu, aby uniknąć porażenia prądem.
- ◆ **OSTRZEŻENIE** Utrzymać suche urządzenie.
- ◆ **OSTRZEŻENIE** Nie używać urządzenia w pobliżu wody.
- ◆ Nie używać urządzenia mając wilgotne ręce czy stopy, ani będąc boso.
- ◆ Nie napinać elektrycznego kabla połączeń. Nie używać nigdy kabla elektrycznego do podnoszenia, przenoszenia ani wyłączania urządzenia.
- ◆ Nie związać kabla elektrycznego podłączenia wokół urządzenia.
- ◆ Nie pozostawiać, by kabel elektryczny podłączenia został schwytyany lub pomarszczony.
- ◆ Kabel podłączeniowy nie może być w kontakcie z gorącymi powierzchniami urządzenia.
- ◆ Umieścić urządzenie z dala od źródeł ciepła i ostrych kantów.
- ◆ Sprawdzać stan elektrycznego kabla połączeń. Uszkodzone czy zaplątane kable zwiększają ryzyko porażenia prądem.
- ◆ Nie używać urządzenia, jeśli upadło lub jeśli występują widoczne oznaki uszkodzenia lub wycieki.
- ◆ Nie używać, ani nie przechowywać urządzenia na zewnątrz.
- ◆ Nie wystawiać urządzenia na deszcz ani narażać na warunki wilgotności. Woda, która dostanie się do urządzenia zwiększy ryzyko porażenia prądem.
- ◆ Nie dotykać wtyczki mokrymi rękoma.
- ◆ Nie powinny używać aparatu osoby nie wrażliwe na gorąco (urządzenie posiada nagrzewające się powierzchnie).
- ◆ Nie dotykać części grzejnych, gdyż może to spowodować poważne oparzenia.

### Używanie i konserwacja:

- ◆ Przed każdym użyciem, rozwinąć całkowicie przewód zasilania urządzenia.
- ◆ Nie używać urządzenia, jeśli nie działa przycisk włączania ON/OFF.
- ◆ Nie ruszać urządzenia w czasie jego działania.
- ◆ Aby przenosić urządzenia, należy używać uchwytów.

- ◆ Nie należy używać urządzenia, gdy jest przechylone ani do góry dnem.
- ◆ Nie obracać urządzenia, kiedy jest ono w użyciu lub kiedy jest podłączone do sieci.
- ◆ Jeśli urządzenie jest używane w łazience lub podobnym miejscu, wyłączać urządzenie z prądu, kiedy nie jest ono używane, nawet jeśli ma to miejsce na krótki okres czasu, ponieważ bliskość wody stanowi zagrożenie, nawet jeśli urządzenie jest wyłączone.
- ◆ Wyłączać urządzenie z prądu, jeśli nie jest ono używane i przed przystąpieniem do jakiegokolwiek czyszczenia.
- ◆ Przechowywać urządzenie w miejscu niedostępnym dla dzieci i/lub osób o ograniczonych zdolnościach fizycznych, dotykowych lub mentalnych oraz nie posiadających doświadczenia lub znajomości tego typu urządzeń.
- ◆ Sprawdzić, czy kratki wentylacyjne urządzenia nie są zapchane kurzem, zanieczyszczeniami czy innymi przedmiotami.
- ◆ Nie pozostawiać włączonego urządzenia bez nadzoru.
- ◆ Nie pozostawiać nigdy urządzenia podłączonego i bez nadzoru. W ten sposób można zaoszczędzić energię i przedłużyć okres użytkowania urządzenia.
- ◆ Nie używać urządzenia do suszenia maskotek czy zwierząt.
- ◆ Nie stosować urządzenia do suszenia żadnego rodzaju tkanin.
- ◆ **OSTRZEŻENIE** Należy uważać, aby w trakcie używania urządzenia nie zasnąć, ponieważ istnieje ryzyko uszkodzenia.
- ◆ Ustawić sterowanie termostatu na wartość minimalną (MIN), nie gwarantuje stałego wyłączenia urządzenia.

### Serwis techniczny:

- ◆ Należy upewnić się, że serwis urządzenia jest przeprowadzony przez wykwalifikowany personel, i że części zamienne są oryginalne.
- ◆ **OSTRZEŻENIE** Istnieje możliwość zagrożenia pożarem, jeśli urządzenie nie będzie używane zgodnie z instrukcją obsługi.
- ◆ Wszelkie niewłaściwe użycie lub niezgodne z instrukcją obsługi może doprowadzić do niebezpieczeństwa, anulując przy tym gwarancję i odpowiedzialność producenta.

### OPIS

- A Przelącznik mocy
- B Kabel zasilający
- C Funkcja ruchu wahadłowego.
- D Uchwyty do przenoszenia

W przypadku, jeśli model Państwa urządzenia nie posiada opisanych powyżej akcesoriów, te można również nabyć osobno w Serwisie Technicznym.

## SPOSÓB UŻYCIA

### Uwagi przed użyciem:

- ◆ Upewnić się, że z opakowania zostały wyjęte wszystkie elementy urządzenia.
- ◆ Niektóre części żelazka zostały delikatnie natłuszczone i dlatego w czasie pierwszego włączenia może wydobywać się z niego para. Po krótkim czasie para powinna zniknąć.
- ◆ Aby pozbyć się zapachu, jaki wydostaje się z urządzenia przy jego pierwszym użyciu, zaleca się włączyć urządzenie na maksymalną moc przez 2 godziny w dobrze wentylowanym pomieszczeniu.
- ◆ Przygotowanie urządzenia do pracy w zależności od czynności, którą będzie wykonywać:

### Sposób użycia:

- ◆ Całkowicie rozwinąć kabel przed podłączeniem urządzenia.
- ◆ Podłączyć urządzenie do prądu.
- ◆ Ustawić urządzenie w taki sposób, aby powietrze leciało w pożądanym kierunku.
- ◆ Włączyć urządzenie, uruchamiając selektor prędkość (A).
- ◆ Wybrać odpowiednią moc.

### Funkcja Grzejnika:

- ◆ Wybrać żądany poziom nagrzewania.

### Funkcja ruchu wahadłowego:

- ◆ Funkcja ruchu wahadłowego sprawia, że powietrze wylatujące z urządzenia pokrywa powierzchnię 75 stopni wokół urządzenia.
- ◆ Aby aktywować tę funkcję należy wybrać pozycję (C).

### Po zakończeniu korzystania z urządzenia:

- ◆ Wyłączyć urządzenie, przekręcając pokrętkę wyboru mocy na zero.
- ◆ Wyłączyć z sieci elektrycznej.
- ◆ Wyczyścić urządzenie.

### Uchwyty do przenoszenia:

- ◆ Urządzenie dysponuje uchwytem w górnej części, umożliwiającym jego łatwe i wygodne przenoszenie(D)

## Mechanizm bezpieczeństwa na wypadek przewrócenia się:

- ◆ Urządzenie posiada mechanizm bezpieczeństwa na wypadek przewrócenia się urządzenia, które wyłącza urządzenie jeśli pozycja pracy nie jest właściwa.

## CZYSZCZENIE

- ◆ Odłączyć urządzenie z sieci i pozostawić aż do ochłodzenia przed przystąpieniem do jakiegokolwiek czyszczenia.
- ◆ Czyścić urządzenie wilgotną szmatką zmoczoną kilkoma kroplami płynu i następnie osuszyć.
- ◆ Nie używać do czyszczenia urządzenia rozpuszczalników, ni produktów z czynnikami PH takich jak chlor, ani innych środków żrących.
- ◆ Nie dopuścić do przedostania się wody ni innej cieczy do otworów wentylacyjnych, aby uniknąć uszkodzeń części mechanicznych znajdujących się we wnętrzu urządzenia.
- ◆ Nie zanurzać urządzenia w wodzie ni innej cieczy, nie wkładać pod kran.
- ◆ Uwaga: Po włączeniu urządzenia używając funkcji grzejnika, w przypadku gdy nie był on przez dłuższy czas używany, lub używany tylko w funkcji wentylatora, może on wydzielać niewielkie ilości dymu, nie ma to jednak żadnych negatywnych konsekwencji i jest spowodowane spalaniem się kurzu i innych substancji zakumulowanych w jego wnętrzu. Można uniknąć tego efektu czyszcząc urządzenie za pomocą odkurzacza lub innego aparatu emitującego sprężone powietrze.

## NIEPRAWIDŁOWOŚCI I NAPRAWA

- ◆ W razie awarii zanieść urządzenie do autoryzowanego Serwisu Technicznego. Nie próbować rozbierać urządzenia ani go naprawiać, ponieważ może to być niebezpieczne.

## Dla urządzeń wyprodukowanych w Unii Europejskiej i w przypadku wymagań prawnych obowiązujących w danym kraju:

### Ekologia i zarządzanie odpadami

- ◆ Materiały, z których wykonane jest opakowanie tego urządzenia, znajdują się w ramach systemu zbierania, klasyfikacji oraz ich odzysku. Jeżeli chcecie Państwo się ich pozbyć, należy umieścić je w kontenerze przeznac-

czonym do tego typu materiałów.

- ◆ Produkt nie zawiera koncentracji substancji, które mogłyby być uznane za szkodliwe dla środowiska.



Symbol ten oznacza, że jeśli chcecie się Państwo pozbyć tego produktu po zakończeniu okresu jego użytkowania, należy go przekazać przy zastosowaniu określonych środków do autoryzowanego podmiotu zarządzającego odpadami w celu przeprowadzenia selektywnej zbiórki Odpadów Urządzeń Elektrycznych i Elektronicznych (WEEE).

To urządzenie jest zgodne z Dyrektywą 2014/35 / UE w sprawie niskich napięć, zgodnie z Dyrektywą 2014/30 / UE w sprawie kompatybilności elektromagnetycznej, z Dyrektywą 2011/65 / UE w sprawie ograniczeń w zakresie stosowania niektórych niebezpiecznych substancji w sprzęcie elektrycznym i elektronicznym oraz z dyrektywą 2009/125 / CE w sprawie wymagań projektu ekologicznego dotyczącego produktów związanych z energią.

## GWARANCJA I SERWIS TECHNICZNY

- ◆ Ten produkt jest uznawany i chroniony prawną gwarancją zgodnie z obowiązującymi przepisami. W celu wyegzekwowania swoich prawa lub interesów, należy udać się do dowolnego z naszych oficjalnych usług pomocy technicznej.
- ◆ Najbliższy punkt można znaleźć, korzystając z poniższego linku: <http://www.2helpu.com/>
- ◆ Można również poprosić o informacje, kontaktując się z nami (patrz ostatnia strona instrukcji).
- ◆ Można też pobrać niniejszą instrukcję obsługi i jej aktualizacje na <http://www.2helpu.com/>.

Niniejsza informacja przedstawia charakterystyki odnoszące się do modelu ekologicznego:

<b>Model: BXC9H00E</b>	
<b>Moc cieplna</b>	
Znamionowa moc cieplna P <sub>nom</sub>	0,9 kW
Minimalna moc cieplna (orientacyjna) P <sub>min</sub>	0,45 kW
Maksymalna moc cieplna ciągła P <sub>max</sub>	0,9 kW
<b>Dodatkowe zużycie energii elektrycznej</b>	
A nominalna moc cieplna max	0,00 kW
Minimalna moc cieplnamax	0,00 kW
W trybie czuwania SB	0,00 kW
<b>Rodzaj doprowadzanego ciepła, tylko dla lokalnych urządzeń grzewczych z akumulacją elektryczną</b>	
Ręczne sterowanie obciążeniem cieplnym, ze zintegrowanym termostatem	Nie
Ręczne sterowanie obciążeniem cieplnym z odpowiedzią na temperaturę wewnętrzną lub zewnętrzną.	Nie
Elektroniczne sterowanie obciążeniem cieplnym w odpowiedzi na temperaturę wewnętrzną lub zewnętrzną	Nie
Moc cieplna wspomagana przez wentylatory.	Nie
<b>Typ monitorowania mocą cieplną/temperaturą wnętrza</b>	
Moc cieplna tylko jednego poziomu, bez kontrolowania temperatury pomieszczenia	Nie
Dwa lub więcej poziomów manualne, bez kontrolowania temperatury pomieszczenia	Tak
Z kontrolowaniem temperatury pomieszczenia poprzez termostat mechaniczny	Nie
Z kontrolowaniem elektronicznym temperatury pomieszczenia	Nie
Kontrolowanie elektroniczne temperatury pomieszczenia i czasomierz dzienny	Nie
Kontrolowanie elektroniczne temperatury pomieszczenia i czasomierz tygodniowy	Nie
<b>Inne opcje kontroli</b>	
Kontrolowanie temperatury pomieszczenia z wykrywaniem obecności	Nie
Kontrolowanie temperatury pomieszczenia z wykrywaniem otwartych okien	Nie
Z opcją kontrolowania odległości	Nie
Z kontrolowaniem uruchamiania adaptacyjnego	Nie
Z ograniczeniem czasu funkcjonowania	Nie
Z czujnikiem czarnej lampy	Nie
Dane teledadresowe: Engineering and Technology for Life, S.L., Avda. Barcelona, s/n, Oliana, 25790, Spain	

## Θερμάστρα άνθρακα ΒΧCSH900E

### Αξιότιμε πελάτη:

Σας ευχαριστούμε που αποφασίσατε να αγοράσετε ένα προϊόν μάρκας BLACK+DECKER..

Η τεχνολογία, ο σχεδιασμός και η λειτουργία του, σε συνδυασμό με το γεγονός ότι το προϊόν πληροί τις αυστηρότερες προδιαγραφές ποιότητας θα σας εξασφαλίσουν πλήρη ικανοποίηση για πολύ καιρό.

♦ Διαβάστε προσεκτικά το παρόν φυλλάδιο οδηγιών πριν θέσετε σε λειτουργία τη συσκευή, και φυλάξτε το για να το συμβουλευέστε στο μέλλον. Η μη τήρηση των παρακάτω οδηγιών μπορούν να οδηγήσουν σε ατύχημα.

## ΣΥΜΒΟΥΛΕΣ ΚΑΙ ΠΡΟΕΙΔΟΠΟΙΗΣΕΙΣ ΑΣΦΑΛΕΙΑΣ

- ♦ **ΠΡΟΣΟΧΗ: Ορισμένα εξαρτήματα αυτού του προϊόντος μπορούν να υπερθερμανθούν και να προκαλέσουν εγκαύματα. Ιδιαίτερη προσοχή θα πρέπει να δίνεται όταν βρίσκονται κοντά παιδιά και ευάλωτα άτομα.**
- ♦ Η συσκευή δεν πρέπει να τοποθετείται κάτω από πρίζα.
- ♦ Θα πρέπει να υπάρχει μέριμνα ώστε τα παιδιά κάτω των 3 ετών να μένουν μακριά από τη συσκευή, εκτός κι αν παρακολουθούνται συνεχώς.
- ♦ Τα παιδιά από 3 έως 8 ετών πρέπει να θέτουν σε λειτουργία/να παύουν τη λειτουργία της συσκευής μόνο εφόσον αυτή έχει τοποθετηθεί ή εγκατασταθεί στην κανονική, προβλεπόμενη θέση λειτουργίας της, και να επιτηρούνται ή να έχουν λάβει σχετικές οδηγίες για την ασφαλή χρήση της συσκευής, καθώς και να αντιλαμβάνονται τους κινδύνους που μπορεί να προκληθούν από τη συσκευή.
- ♦ Αυτή τη συσκευή μπορούν να τη χρησιμοποιήσουν παιδιά ηλικίας 8 ετών και άνω και άτομα με μειωμένες σωματικές, αισθητηριακές ή διανοητικές ικανότητες ή με έλλειψη εμπειρίας ή γνώσεων, εφόσον τους παρέχεται η κατάλληλη εποπτεία ή εκπαιδευτούν στην ασφαλή χρήση της συσκευής και κατανοούν τους κινδύνους που εγκυμονεί.
- ♦ Η καθαριότητα και η συντήρηση που πρέπει να πραγματοποιεί ο χρήστης δεν πρέπει να πραγματοποιούνται από παιδιά χωρίς επιτήρηση.
- ♦ Τα παιδιά από 3 έως 8 ετών δεν πρέπει να βάζουν στην πρίζα, να ρυθμίζουν και να καθαρίζουν τη συσκευή ή να πραγματοποιούν εργασίες συντήρησης.
- ♦ Η παρούσα συσκευή δεν είναι παιχνίδι. Τα παιδιά πρέπει να επιτηρούνται ώστε να διασφαλίζεται ότι δεν παίζουν με τη συσκευή.
- ♦ Μη χρησιμοποιείτε την συσκευή κοντά σε μπανιέρες, ντουζιέρες ή πισίνες.
- ♦ **ΠΡΟΕΙΔΟΠΟΙΗΣΗ** Η παρούσα συσκευή δεν είναι εξοπλισμένη με

διάταξη για τον έλεγχο της περιρρέουσας θερμοκρασίας. Μη χρησιμοποιείτε αυτήν τη συσκευή σε μικρά δωμάτια όπου βρίσκονται άτομα μη ικανά να εγκαταλείψουν το δωμάτιο με τα μέσα που διαθέτουν, εκτός αν αυτά βρίσκονται υπό διαρκή επιτήρηση.

- ◆ Εάν έχει υποστεί βλάβη το καλώδιο σύνδεσης στο ρεύμα, πρέπει να αντικατασταθεί και να μεταφέρετε τη συσκευή σε εξουσιοδοτημένο σέρβις τεχνικής εξυπηρέτησης πελατών. Προκειμένου να μην εκτεθείτε σε κίνδυνο, μην προσπαθήσετε να αποσυναρμολογήσετε ή να επιδιορθώσετε τη συσκευή.
- ◆ Αυτή η συσκευή έχει σχεδιαστεί μόνο για οικιακή χρήση, όχι για επαγγελματική ή βιομηχανική χρήση.



Το σύμβολο αυτό δηλώνει πως η συσκευή δεν πρέπει να σκεπαστεί.

- ◆ ΠΡΟΕΙΔΟΠΟΙΗΣΗ Για να αποφευχθεί υπερθέρμανση, μην καλύπτετε τη συσκευή.
- ◆ ΠΡΟΕΙΔΟΠΟΙΗΣΗ: Για να μειώσετε τον κίνδυνο πυρκαγιάς, κρατήστε τα υφάσματα, τις κουρτίνες ή οποιοδήποτε άλλο εύφλεκτο υλικό σε ελάχιστη απόσταση 1 μέτρου από την έξοδο
- ◆ Μην χρησιμοποιείτε τη συσκευή εάν

έχει πέσει.

- ◆ Πριν συνδέσετε τη συσκευή στο ρεύμα, ελέγξτε ότι η τάση που αναφέρεται στην πινακίδα σήμανσης συμπίπτει με την τάση του ρεύματος.
- ◆ Συνδέστε τη συσκευή σε βάση λήψης ρεύματος που αντέχει τουλάχιστον 10 αμπέρ.
- ◆ Το βύσμα της πρίζας της συσκευής πρέπει να συμπίπτει με την ηλεκτρική βάση λήψης ρεύματος. Μη αλλάζετε ποτέ το βύσμα της πρίζας. Μη χρησιμοποιείται μετασχηματιστές στο βύσμα της πρίζας.
- ◆ Να χρησιμοποιείται τη συσκευή σε καλά αεριζόμενο χώρο.
- ◆ Πρέπει να προβλέπεται κατάλληλος εξαερισμός της αίθουσας, εφόσον στην ίδια αίθουσα όπου βρίσκεται εγκατεστημένη η συσκευή χρησιμοποιούνται ταυτόχρονα άλλες συσκευές με υγραέριο ή με άλλο καύσιμο.
- ◆ Η συσκευή πρέπει να χρησιμοποιείται και να διατηρείται σε επίπεδη και σταθερή επιφάνεια.
- ◆ Τοποθετήστε τη συσκευή μακριά από οποιοδήποτε εύφλεκτο υλικό, όπως είναι υφάσματα, χαρτόνια, χαρτιά...
- ◆ Μην τοποθετείτε καύσιμη ύλη κοντά στη συσκευή.
- ◆ Αποφύγετε η είσοδος αλλά και η έξοδος του αέρα να βρίσκονται πλήρως ή μερικώς σκεπασμένες από έπιπλα, κουρτίνες, ρούχα, κ.λπ., υπάρχει κίνδυνος πυρκαγιάς.
- ◆ Μη χρησιμοποιείτε τη συσκευή συνδεδεμένη με κανέναν προγραμματιστή, χρονοδιακόπτη ή άλλη διάταξη που συνδέει τη συσκευή αυτομάτως.
- ◆ Μη χρησιμοποιείτε τη συσκευή όταν το ηλεκτρικό καλώδιο ή το βύσμα έχουν υποστεί ζημιά.
- ◆ Εάν κάποιο από τα περιβλήματα της συσκευής σπάσει, να αποσυνδέτε αμέσως τη συσκευή από το ρεύμα για να αποφύγετε πιθανότητα ηλεκτροπληξίας.
- ◆ ΠΡΟΕΙΔΟΠΟΙΗΣΗ Διατηρείτε τη συσκευή στεγνή.
- ◆ ΠΡΟΕΙΔΟΠΟΙΗΣΗ Μη χρησιμοποιείτε τη συσκευή κοντά σε νερό
- ◆ Μη χρησιμοποιείτε τη συσκευή με υγρά χέρια ή πόδια, ούτε ξυπόλυτοι.
- ◆ Μην ασκείτε πίεση στο ηλεκτρικό καλώδιο. Μη χρησιμοποιείτε ποτέ το ηλεκτρικό καλώδιο για να σηκώνετε, να μεταφέρετε ή να βγάλετε από την πρίζα τη συσκευή.
- ◆ Μην τυλίγετε το ηλεκτρικό καλώδιο σύνδεσης γύρω από τη συσκευή.
- ◆ Μην αφήνετε το ηλεκτρικό καλώδιο σύνδεσης να σφηνώνει ή να διπλώνεται.
- ◆ Μην αφήνετε το ηλεκτρικό καλώδιο σύνδεσης να έρχεται σε επαφή με τις ζεστές επιφάνειες της συσκευής.
- ◆ Φροντίστε η συσκευή να βρίσκεται μακριά από πηγές θερμότητας, λάδια, αιχμηρές γωνίες και κινητά

εξαρτήματα.

- ◆ Ελέγξτε την κατάσταση του καλωδίου τροφοδοσίας. Καλώδια που έχουν υποστεί βλάβη ή έχουν μπερδευτεί αυξάνουν τον κίνδυνο ηλεκτροπληξίας.
- ◆ Το καλώδιο τροφοδοσίας πρέπει να εξετάζεται τακτικά ώστε να ανιχνεύονται σημάδια φθοράς, και αν υπάρχει φθορά, η συσκευή δεν πρέπει να χρησιμοποιείται.
- ◆ Μη χρησιμοποιείτε ούτε να φυλάσσετε τη συσκευή σε εξωτερικούς χώρους.
- ◆ Μην εκθέτετε τη συσκευή στη βροχή ή την υγρασία. Το νερό που εισέρχεται στη συσκευή αυξάνει τον κίνδυνο ηλεκτροπληξίας.
- ◆ Μην αγγίζετε το βύσμα σύνδεσης με υγρά χέρια.
- ◆ Η συσκευή να μη χρησιμοποιείται από άτομα που δεν έχουν αίσθηση της θερμότητας (επειδή έχει επιφάνειες που θερμαίνονται).
- ◆ Μην αγγίζετε τα θερμασμένα τμήματα της συσκευής, γιατί μπορούν να προκαλέσουν εγκαύματα.

### Χρήση και συντήρηση:

- ◆ Πριν από κάθε χρήση, ξετυλίξτε τελείως το καλώδιο τροφοδοσίας της συσκευής.
- ◆ Μη χρησιμοποιείται τη συσκευή αν δεν λειτουργεί ο διακόπτης έναρξης/παύσης λειτουργίας.
- ◆ Μην μετακινείται τη συσκευή ενώ χρησιμοποιείται.
- ◆ Χρησιμοποιείτε το/τα χερούλι/α μεταφοράς για να πιάσετε ή να μεταφέρετε τη συσκευή.
- ◆ Μη χρησιμοποιείται τη συσκευή κεκλιμένη ούτε να την αναποδογυρίζετε.
- ◆ Μην αναποδογυρίζετε τη συσκευή ενώ χρησιμοποιείται ή είναι συνδεδεμένη στο ρεύμα.
- ◆ Αν χρησιμοποιείτε τη συσκευή στο μπάνιο ή σε παρόμοιο δωμάτιο, βγάλτε τη συσκευή από τη πρίζα όταν δεν τη χρησιμοποιείτε, ακόμα κι αν είναι για σύντομο χρονικό διάστημα, μιας και η εγγύτητα στο νερό αποτελεί κίνδυνο, ακόμα και σε περίπτωση που η συσκευή είναι εκτός πρίζας.
- ◆ Αποσυνδέετε τη συσκευή από το ρεύμα, όταν δεν τη χρησιμοποιείτε καθώς και πριν πραγματοποιείστε οποιαδήποτε διαδικασία καθαρισμού.
- ◆ Διατηρήστε την παρούσα συσκευή μακριά από τα παιδιά ή/και τα άτομα με μειωμένες σωματικές, αισθητηριακές ή διανοητικές ικανότητες ή άτομα με ελλιπείς εμπειρίες ή γνώσεις.
- ◆ Βεβαιωθείτε ότι το πλέγμα εξαερισμού της συσκευής δεν παρεμποδίζεται από σκόνη, βρωμιά ή άλλα αντικείμενα
- ◆ Χρησιμοποιείτε πάντα τη συσκευή υπό επίτηρηση.
- ◆ Μην αφήνετε ποτέ συνδεδεμένη τη συσκευή και χωρίς επίτηρηση. Έτσι θα εξοικονομήσετε επίσης ενέργεια και θα επιμηκύνετε τη ζωή της συσκευής.

- ◆ Μη χρησιμοποιείτε τη συσκευή για να στεγνώσετε ζώα συντροφιάς ή ζώα γενικότερα.
- ◆ Μη χρησιμοποιείτε τη συσκευή για να στεγνώσετε υφάσματα κανενός είδους.
- ◆ ΠΡΟΕΙΔΟΠΟΙΗΣΗ Μην κοιμηθείτε με τη συσκευή αναμμένη, επειδή υπάρχει κίνδυνος ζημιών.
- ◆ Η τοποθέτηση του διακόπτη του θερμοστάτη στη θέση «ελάχιστη θερμοκρασία» (MIN), δεν διασφαλίζει τη μόνιμη αποσύνδεση της συσκευής.

### Λειτουργία:

- ◆ Η επισκευή της συσκευής πρέπει να πραγματοποιείται μόνο από ειδικευμένο προσωπικό και πρέπει να χρησιμοποιούνται μόνο γνήσια ανταλλακτικά ή εξαρτήματα για την αντικατάσταση υπαρχόντων τμημάτων/εξαρτημάτων.
- ◆ ΠΡΟΕΙΔΟΠΟΙΗΣΗ Υπάρχει κίνδυνος πυρκαγιάς, σε περίπτωση που ο καθαρισμός της συσκευής δεν γίνει σύμφωνα με αυτές τις οδηγίες.
- ◆ Οποιαδήποτε μη ενδεδειγμένη χρήση ή χρήση αντίθετη προς τις οδηγίες χρήσης μπορεί να εγκυμονεί κινδύνους, και ακυρώνει την εγγύηση και την ευθύνη του κατασκευαστή.

## ΠΕΡΙΓΡΑΦΗ

- A Διακόπτης επιλογής ταχύτητας
- B Καλώδιο τροφοδοσίας
- C Λειτουργία περιστροφής
- D Λαβή μεταφοράς:

Σε περίπτωση που το μοντέλο της συσκευής σας δεν διαθέτει τα εξαρτήματα που περιγράφονται παραπάνω, αυτά τα εξαρτήματα μπορείτε να τα αποκτήσετε μεμονωμένα από τις υπηρεσίες τεχνικής συνδρομής.

## ΤΡΟΠΟΣ ΛΕΙΤΟΥΡΓΙΑΣ

### Παρατηρήσεις πριν τη χρήση:

- ◆ Βεβαιωθείτε ότι έχετε αφαιρέσει όλα τα υλικά συσκευασίας του προϊόντος.
- ◆ Ορισμένα εξαρτήματα της συσκευής έχουν λιπανθεί ελαφρώς και ως εκ τούτου, όταν μπει σε λειτουργία η συσκευή για πρώτη φορά, ίσως απελευθερωθεί λίγος καπνός. Μετά από λίγο αυτός ο καπνός θα σταματήσει.
- ◆ Για να αποφύγετε τη μυρωδιά που θα εκπέμψει η συσκευή την πρώτη φορά, συνιστάται να τη θέσετε σε λειτουργία στη μέγιστη θερμοκρασία για 2 ώρες, σε δωμάτιο που αερίζεται καλά.

- ◆ Προετοιμάστε τη συσκευή ανάλογα με τη λειτουργία που θέλετε να πραγματοποιήσετε.

### Χρήση:

- ◆ Ξετυλίξτε τελείως το καλώδιο πριν συνδέσετε τη συσκευή στο ρεύμα.
- ◆ Συνδέστε τη συσκευή στο ηλεκτρικό δίκτυο.
- ◆ Αλλάξτε τον προσανατολισμό της συσκευής ώστε η ροή του αέρα να κατευθύνεται προς την επιθυμητή κατεύθυνση.
- ◆ Θέστε τη συσκευή σε λειτουργία, ενεργοποιώντας τον διακόπτη επιλογής ισχύος (A).
- ◆ Επιλέξτε την επιθυμητή ισχύ.

### Λειτουργία θέρμανσης:

- ◆ Επιλέξτε την επιθυμητή ισχύ.

### Λειτουργία περιστροφής:

- ◆ Η λειτουργία ταλάντωση επιτρέπει να κατευθύνεται η ροή της συσκευής εκ περιστροφής και αυτόματα, δημιουργώντας φάσμα 75°
- ◆ Για να ενεργοποιήσετε αυτήν τη λειτουργία, επιλέξτε τη θέση (C).

### Αφού ολοκληρωθεί η χρήση της συσκευής:

- ◆ Σταματήστε τη συσκευή επιλέγοντας τη θέση 0 στον διακόπτη επιλογής.
- ◆ Αποσυνδέστε τη συσκευή από το ηλεκτρικό δίκτυο.
- ◆ Καθαρίστε τη συσκευή.

### Χερούλι/α μεταφοράς:

- ◆ Αυτή η συσκευή διαθέτει χερούλι στο επάνω τμήμα για να είναι πιο εύκολη και άνετη η μεταφορά της (D)

### Διάταξη ασφαλείας σε περίπτωση ανατροπής:

- ◆ Η συσκευή έχει διάταξη ασφαλείας κατά της ανατροπής, με την οποία αποσυνδέεται η συσκευή σε περίπτωση που η θέση της συσκευής δεν είναι σωστή.

## ΚΑΘΑΡΙΟΤΗΤΑ

- ◆ Αποσυνδέστε τη συσκευή από το ρεύμα και αφήστε τη να κρυώσει πριν πραγματοποιήσετε οποιαδήποτε διαδικασία καθαρισμού.
- ◆ Καθαρίστε τη συσκευή με ένα υγρό πανί, βρεγμένο με μερικές σταγόνες απορρυπαντικού και μετά στεγνώστε

τη.

- ◆ Μη χρησιμοποιείται διαλυτικά ούτε προϊόντα με όξινο ή αλκαλικό παράγοντα pH, όπως η χλωρίνη, ούτε λειαντικά προϊόντα για τον καθαρισμό της συσκευής.
- ◆ Μην αφήσετε να εισχωρήσει νερό ή άλλο υγρό από τα ανοίγματα εξερισμού για να αποφύγετε ζημιές στα λειτουργικά τμήματα στο εσωτερικό της συσκευής.
- ◆ Μην εμβαπίζετε ποτέ τη συσκευή σε νερό ή άλλο υγρό, ούτε να τη βάζετε κάτω από τη βρύση.
- ◆ Σημείωση: Όταν λειτουργήσει η συσκευή στη λειτουργία θέρμανσης μετά από καιρό μη χρήσης ή χρήσης μόνο στη λειτουργία ανεμιστήρα, μπορεί στην αρχή να βγάλει λίγο καπνό, καθόλου ανησυχητικό, λόγω του ότι καίγεται η σκόνη και άλλα σωματίδια που έχουν μαζευτεί μέσα στο θερμαντικό σώμα. Μπορείτε να το αποφύγετε αυτό, αν καθαρίσετε εκ των προτέρων και ανάμεσα στις περιόδους της συσκευής, το εσωτερικό της, με μια ηλεκτρική σκούπα ή με εκτόξευση αέρα υπό πίεση.

## ΠΡΟΒΛΗΜΑΤΑ ΚΑΙ ΕΠΙΣΚΕΥΕΣ

- ◆ Σε περίπτωση βλάβης, μεταφέρετε τη συσκευή σε εγκεκριμένη υπηρεσία τεχνικής βοήθειας. Μην προσπαθήσετε να την αποσυναρμολογήσετε ή να την επισκευάσετε γιατί μπορεί να εκτεθείτε σε κίνδυνο.

### Για τις εκδοχές ΕΕ της συσκευής και/ή εφόσον ισχύουν τα παρακάτω στη χώρα σας:

#### Οικολογία και ανακυκλωσιμότητα του προϊόντος

- ◆ Τα υλικά που απαρτίζουν τη συσκευασία αυτής της συσκευής, συμμετέχουν σε πρόγραμμα αποκομιδής, ταξινόμησης και ανακύκλωσης τους. Αν θέλετε να απαλλαγείτε από αυτά τα υλικά, μπορείτε να χρησιμοποιήσετε τους δημόσιους κάδους που ενδείκνυνται για κάθε είδος υλικού.
- ◆ Το προϊόν δεν περιέχει συγκεντρώσεις ουσιών που μπορούν να θεωρηθούν επιζήμιες για το περιβάλλον.



Αυτό το σύμβολο σημαίνει ότι εάν θέλετε να απαλλαγείτε από το προϊόν, όταν έχει ολοκληρωθεί ο κύκλος ζωής του, οφείλετε να το αναποθέσετε, με τα κατάλληλα μέσα, στα χέρια ενός διαχειριστή αποβλήτων, εγκεκριμένου για την επιλεκτική συλλογή αποβλήτων ειδών ηλεκτρικού και ηλεκτρονικού εξοπλισμού (ΑΗΗΕ).

Το παρόν προϊόν συμμορφώνεται με την οδηγία 2014/35/ΕΕ χαμηλής τάσης, με την οδηγία 2014/30/ΕΕ για την ηλεκτρομαγνητική συμβατότητα, με την οδηγία 2011/65/ΕΕ για τον περιορισμό της χρήσης ορισμένων επικίνδυνων ουσιών σε ηλεκτρικό και ηλεκτρονικό εξοπλισμό και με την οδηγία 2009/125/ΕΚ για τις απαιτήσεις οικολογικού σχεδιασμού όσον αφορά τα συνδεδεμένα με την ενέργεια προϊόντα.

## ΕΓΓΥΗΣΗ ΚΑΙ ΤΕΧΝΙΚΗ ΥΠΟΣΤΗΡΙΞΗ

- ♦ Το παρόν προϊόν αναγνωρίζεται και προστατεύεται από τη νόμιμη εγγύηση συμμόρφωσης προς την ισχύουσα νομοθεσία. Για να διεκδικήσετε τα δικαιώματά ή συμφέροντά σας πρέπει να απευθυνθείτε σε οποιοδήποτε από τα επίσημα γραφεία μας τεχνικής υποστήριξης.
- ♦ Για να βρείτε το πιο κοντινό σε εσάς, ανατρέξτε στην ιστοσελίδα: <http://www.2helpu.com/>.
- ♦ Μπορείτε επίσης να ζητήσετε πληροφορίες, επικοινωνώντας μαζί μας (συμβουλευτείτε την τελευταία σελίδα του εγχειριδίου).
- ♦ Μπορείτε να «κατεβάσετε» από το διαδίκτυο το παρόν εγχειρίδιο οδηγιών και τις σχετικές ενημερώσεις του στο <http://www.2helpu.com/>.

Στις παρακάτω πληροφορίες περιγράφονται διεξοδικά τα χαρακτηριστικά που αφορούν τον οικολογικό σχεδιασμό:

<b>Μοντέλο: BXCSH900E</b>	
<b>Θερμική ισχύς</b>	
Ονομαστική θερμική ισχύς $P_{nom}$	0,9 kW
Ελάχιστη θερμική ισχύς (ενδεικτική) $P_{min}$	0,45 kW
Συνεχής μέγιστη θερμική ισχύς $P_{max}$	0,9 kW
<b>Εφεδρική κατανάλωση ηλεκτρικής ενέργειας</b>	
Σε ονομαστική θερμική ισχύ $P_{nom}$	0,00 kW
Ελάχιστη θερμική ισχύς $P_{min}$	0,00 kW
Σε κατάσταση αναμονής $toSB$	0,00 kW
<b>Τρόπος μεταφοράς θερμότητας, μόνο για τους ηλεκτρικούς τοπικούς θερμοσυσσωρευτές</b>	
Χειροκίνητος έλεγχος της συσσώρευσης θερμότητας, με ενσωματωμένο θερμοστάτη	Όχι
Χειροκίνητος έλεγχος της συσσώρευσης θερμότητας σε σχέση με την θερμοκρασία δωματίου ή την εξωτερική θερμοκρασία.	Όχι
Ηλεκτρονικός έλεγχος της συσσώρευσης θερμότητας σε σχέση με την θερμοκρασία δωματίου ή την εξωτερική θερμοκρασία.	Όχι
Θερμική ισχύς υποβοηθούμενη από ανεμιστήρες	Όχι
<b>Είδος ελέγχου θερμικής ισχύος/θερμοκρασίας δωματίου</b>	
Θερμική ισχύς ενός μόνο επιπέδου, χωρίς έλεγχο της θερμοκρασίας δωματίου	Όχι
Δύο ή περισσότερα επίπεδα χειροκίνητα, χωρίς έλεγχο της θερμοκρασίας δωματίου	Ναι
Με έλεγχο της θερμοκρασίας δωματίου μέσω μηχανικού θερμοστάτη	Όχι
Με ηλεκτρονικό έλεγχο της θερμοκρασίας δωματίου	Όχι
Ηλεκτρονικός έλεγχος της θερμοκρασίας δωματίου και χρονοδιακόπτης σε ημερήσια βάση	Όχι
Ηλεκτρονικός έλεγχος της θερμοκρασίας δωματίου και χρονοδιακόπτης σε εβδομαδιαία βάση	Όχι
<b>Άλλες επιλογές ελέγχου</b>	
Έλεγχος θερμοκρασίας δωματίου με ανίχνευση παρουσίας	Όχι
Έλεγχος θερμοκρασίας δωματίου με ανίχνευση ανοικτών παράθυρων	Όχι
Με επιλογή εξ αποστάσεως ελέγχου	Όχι
Με έλεγχο ρυθμιζόμενης ενεργοποίησης	Όχι
Με περιορισμό του χρόνου λειτουργίας	Όχι
Με αισθητήρα μελανού φωτός	Όχι
Στοιχεία επικοινωνίας: Engineering and Technology for Life, S.L., Avda. Barcelona, s/n, Oliana, 25790, Ισπανία	

## Угольный обогреватель BXCSH900E

### Уважаемый клиент!

Благодарим за выбор аппарата торговой марки BLACK+DECKER.

Он выполнен с применением передовых технологий, имеет элегантный дизайн, надежную конструкцию и превышает наиболее требовательные стандарты качества, что обеспечит полное соответствие вашим требованиям и продолжительный срок службы.

- ◆ Внимательно прочтите эту инструкцию перед включением электроприбора и сохраните ее для использования в будущем. Ненадлежащее соблюдение этой инструкции может быть причиной несчастного случая.

## ИНСТРУКЦИЯ ПО ТЕХНИКЕ БЕЗОПАСНОСТИ

- ◆ **ВНИМАНИЕ! Некоторые части прибора могут сильно нагреваться при работе и вызывать ожоги. Будьте особенно внимательны при работе с прибором в присутствии детей или других уязвимых лиц.**
- ◆ Не устанавливайте прибор под розеткой, в которую он включен.
- ◆ Дети младше 3 лет не должны находиться рядом с прибором, если только они не находятся под постоянным присмотром взрослых.
- ◆ Дети от 3 до 8 лет могут включать и выключать прибор только при условии его правильного расположения и корректной установки, обеспечивающих его надлежащее использование. Они также должны быть проинструктированы относительно безопасного использования прибора и осознавать связанные с этим риски.
- ◆ Данное устройство может использоваться детьми старше 8 лет, лицами с ограниченными физическими, сенсорными или умственными возможностями, а также лицами, не обладающими соответствующим опытом или знаниями, и только под присмотром или после проведения инструктажа по безопасному использованию устройства и с пониманием связанных с ним опасностей.
- ◆ Дети не должны выполнять чистку или ухаживать за прибором без присмотра старших.
- ◆ Детям от 3 до 8 лет нельзя подключать, регулировать, чистить прибор или осуществлять его техническое обслуживание.
- ◆ Прибор не является игрушкой. Необходимо следить за детьми, чтобы они не играли с ним.
- ◆ Не используйте прибор рядом с ванной, душем или бассейном.
- ◆ **ВНИМАНИЕ:** Этот прибор не оснащен регулятором температуры в комнате. Не допускается использовать этот прибор в небольших комнатах, в которых находятся

недееспособные лица, или оставлять его работающим без постоянного присмотра.

- ◆ Поврежденный сетевой шнур подлежит замене в авторизованном сервисном центре. Не допускается разбирать или ремонтировать прибор, так как это небезопасно.
- ◆ Этот прибор предназначен только для домашнего, а не профессионального или промышленного использования.



Данный символ означает, что не следует накрывать прибор во время его работы.

- ◆ **ВНИМАНИЕ!** Во избежание перегрева не разрешается накрывать прибор.
- ◆ **ПРЕДУПРЕЖДЕНИЕ:** Чтобы снизить риск возгорания, держите ткани, занавески или любые другие легковоспламеняющиеся материалы на расстоянии не менее 1 метра от воздуховыпускного отверстия..
- ◆ Не используйте прибор, если он упал.
- ◆ Прежде чем включить электроприбор, убедитесь, что напряжение на этикетке соответствует напряжению электросети.
- ◆ Подключите электроприбор к розетке, рассчитанной на ток не менее 10 ампер.
- ◆ Сетевая вилка должна подходить к розетке. Не допускается вносить изменения в вилку сетевого шнура. Не допускается также использовать переходники для розетки.

- ◆ Используйте прибор только в хорошо проветриваемом помещении.
- ◆ Если вы собираетесь использовать другие газовые или топливные приборы в одно и то же время в комнате, в которой используется прибор, то комната должна быть хорошо проветриваемой.
- ◆ Чтобы использовать прибор, его нужно установить на ровную и устойчивую поверхность;
- ◆ Не устанавливайте прибор вблизи легко воспламеняющихся предметов (ткань, картон, бумага и пр....)
- ◆ Не располагайте возле прибора легковоспламеняющиеся материалы.
- ◆ Убедитесь, что доступ к воздуху и выход воздуха не закрыты ни полностью ни частично шторами, одеждой, и т.п., так как увеличивается риск возникновения пожара.
- ◆ не используйте прибор вместе с устройствами программирования, таймерами или другими устройствами, которые могут автоматически включить его.
- ◆ не допускается эксплуатировать электроприбор с поврежденным шнуром или вилкой питания.
- ◆ при любом повреждении корпуса электроприбора немедленно отключите его от сети, чтобы не допустить поражения электрическим током;
- ◆ **ВНИМАНИЕ!** Сохраняйте прибор сухим.
- ◆ **ВНИМАНИЕ!** Не допускается использовать прибор возле воды.
- ◆ Не используйте прибор, если ваши руки или ноги влажные, а также босиком;
- ◆ Не тяните за шнур питания. Не допускается использовать шнур питания, чтобы поднимать или переносить электроприбор, вынимать вилку из розетки, потянув за шнур.
- ◆ Не накручивайте сетевой шнур на прибор.
- ◆ Не допускается пережимать или сильно сгибать шнур питания.
- ◆ не допускается, чтобы шнур питания касался горячих частей прибора.
- ◆ Храните прибор вдали от источников тепла, масла, острых или подвижных предметов.
- ◆ Проверьте состояние шнура питания. Поврежденный или запутанный шнур может быть причиной поражения электрическим током.
- ◆ Сетевой шнур нужно периодически проверять, чтобы не допустить использование прибора с поврежденным шнуром питания.
- ◆ Не допускается использовать или хранить электроприбор на открытом воздухе.
- ◆ Не оставляйте прибор под дождем или во влажном месте. Если в прибор попадет вода, это может стать

причиной поражения электрическим током.

- ◆ Не прикасайтесь к вилке влажными руками.
- ◆ Людям, не чувствительным к высоким температурам, не рекомендуется использовать прибор (так как в нем есть нагревающиеся поверхности).
- ◆ Не трогайте нагревающиеся части прибора, так как это может вызвать серьезные ожоги.

## Использование и уход

- ◆ Перед каждым использованием полностью разворачивайте сетевую кабель.
- ◆ Не допускается эксплуатировать электроприбор с неисправным выключателем питания.
- ◆ Не перемещайте прибор во время использования.
- ◆ Для перемещения или удержания электроприбора используйте его ручку.
- ◆ Не допускается использовать прибор в наклонном положении;
- ◆ Не переворачивайте прибор, если он используется или подключен к сети.
- ◆ В ванной или подобном месте вынимайте вилку с розетки после использования, даже если это ненадолго, поскольку близость воды представляет опасность даже при выключенном питании;
- ◆ Отсоедините электроприбор от сети после использования или для его чистки.
- ◆ Храните этот прибор вне досягаемости детей и/или лиц с ограниченными физическими, сенсорными или умственными возможностями, а также тех, кто не знаком с правилами его использования;
- ◆ Убедитесь, что пыль, грязь или другие посторонние объекты не блокируют вентиляционную решетку прибора.
- ◆ Во время использования никогда не оставляйте прибор без присмотра.
- ◆ Не оставляйте включенный электроприбор без присмотра. Это сохранит электроэнергию и продлит срок его службы.
- ◆ не допускается использовать электроприбор для сушки домашних животных;
- ◆ Не используйте прибор для сушки тканей.
- ◆ ВНИМАНИЕ! Пользователь прибора не может спать, если прибор находится в использовании, так как существует риск нанесения ущерба здоровью.
- ◆ установите термостат в минимальное (MIN) положение. Это не означает, что электроприбор будет полностью выключен.

## Сервисное обслуживание:

- ◆ Ремонтировать прибор разрешается только квалифицированным специалистам с использованием только оригинальных запасных частей.
- ◆ ВНИМАНИЕ! Очистка прибора должна осуществляться согласно данным инструкциям, так как в противном случае существует повышенный риск возникновения пожара.
- ◆ Любое неправильное использование или несоблюдение инструкций автоматически приводит к аннулированию гарантии и снятию ответственности производителя.

## ОПИСАНИЕ

- A Кнопка вкл/выкл
- B Кабель электропитания
- C Функция качания:
- D Ручка для переноски

Если ваша модель не укомплектована нужной вам принадлежностью, ее можно приобрести отдельно через службу технической поддержки.

## ИНСТРУКЦИЯ ПО ЭКСПЛУАТАЦИИ

### Перед использованием:

- ◆ Убедитесь в том, что вы полностью распаковали прибор.
- ◆ некоторые части прибора могут быть слегка смазаны. Вследствие этого, во время первого применения прибора может появиться небольшой дым. После некоторого времени, дым прекратится.
- ◆ При первом включении прибор выделяет запах. Рекомендуется включить его на полную мощность на 2 часа в хорошо проветриваемой комнате.
- ◆ подготовьте электроприбор к работе.

### Использование:

- ◆ Полностью разверните кабель перед подключением к сети.
- ◆ Подключите прибор к сети.
- ◆ установите прибор для подачи потока воздуха в желаемом направлении.
- ◆ Включите прибор, используя регулятор режимов (A).
- ◆ Выберите необходимую мощность.

## Функция отопления:

- ♦ Выберите желаемую мощность отопления.

## Функция качания:

- ♦ Функция качания позволяет направлять поток от прибора так, что он автоматически изменяет направление в пределах 75°.
- ♦ Чтобы активизировать эту функцию, выберите (C).

## После использования:

- ♦ Остановите двигатель, выбрав позицию 0 на переключателе скоростей.
- ♦ Отключите прибор от сети.
- ♦ Очистите прибор.

## Ручка(и) для переноски:

- ♦ В верхней части прибора располагается ручка для его транспортировки(D).

## Защитное устройство от опрокидывания:

- ♦ Защитное устройство от опрокидывания прибора выключает прибор, если он неправильно расположен.

## ОЧИСТКА

- ♦ Отсоедините прибор от сети после использования, чтобы он остыл перед чисткой.
- ♦ Очистите прибор, используя влажную ткань и несколько капель чистящей жидкости, и вытрите его насухо.
- ♦ Не допускается использовать растворители или продукты на основе кислоты или с высоким уровнем pH, например, отбеливатель, а также абразивные чистящие вещества.
- ♦ Не допускайте попадания внутрь через отверстия для прохождения воздуха воды или иной жидкости, чтобы не повредить внутренние части.
- ♦ Не помещайте электроприбор в воду или иную жидкость, а также под струю воды.
- ♦ Примечание: Когда прибор используется после того, как в течение длительного времени он находился в неупотреблении, может появиться небольшое количество дыма. Это не имеет особого значения и является следствием сжигания отложений пыли, которые накопились на обогревательных элементах. Этот эффект можно предотвратить, если предварительно очистить внутренние элементы прибора через решетку пылесосом или сжатым воздухом.

## НЕИСПРАВНОСТИ И РЕМОНТ

- ♦ В случае неисправности отнесите электроприбор в сервисный центр. Не пытайтесь самостоятельно ремонтировать электроприбор — это может быть опасно.

## Для изделий в версии ЕС и/или, если этого требует законодательство в вашей стране:

### Экология и вторичное использование

- ♦ Материалы упаковки прибора принимаются системой сбора и сортировки материалов для вторичного их использования. Для утилизации используйте бытовые контейнеры для каждого типа мусора.
- ♦ В изделии нет веществ в концентрациях, которые считаются вредными для окружающей среды.



Этот значок означает, что после окончания срока службы для утилизации электроприбора отнесите его в пункт сбора электрических и электронных отходов

(WEEE)

Этот прибор выполнен в соответствии с Директивой по низковольтному оборудованию 2014/35/UE, Директивой по электромагнитной совместимости 2014/30/UE, Директивой 2011/65/UE, ограничивающей использование некоторых опасных веществ в электрическом и электронном оборудовании, а также Директивой 2009/125/ЕС по экологическим требованиям к изделиям, потребляющим энергию.

## ГАРАНТИЯ И ТЕХНИЧЕСКАЯ ПОДДЕРЖКА

- ♦ Этот продукт защищен юридической гарантией в соответствии с действующим законодательством. Чтобы обеспечить соблюдение ваших прав или интересов, вы должны обратиться в любую из наших официальных служб по технической поддержке клиентов.
- ♦ Вы можете найти ближайшие из центров, пройдя по следующей веб-ссылке: <http://www.2helpu.com/>.
- ♦ Вы также можете запросить соответствующую информацию, связавшись с нами (см. последнюю страницу руководства).

Вы можете скачать это руководство и обновления к нему по адресу <http://www.2helpu.com/>.

Следующая информация относится к спецификациям, связанным с экодизайном.

<b>Модель: ВХСН900Е</b>	
<b>Тепловая мощность</b>	
Номинальная тепловая мощность, $P_{nom}$	0,9 kW
Минимальная тепловая мощность (показательная) $P_{min}$	0,45 kW
Максимальная непрерывная тепловая мощность $P_{max}$	0,9 kW
<b>Вспомогательное потребление электроэнергии</b>	
При номинальной тепловой мощноститах	0,00 kW
При минимальной тепловой мощностипи	0,00 kW
В режиме ожиданияSB	0,00 kW
<b>Тип подводимой теплоты, только для электрических обогревателей накопительного типа</b>	
Ручной контроль теплового заряда со встроенным термостатом	Нет
Ручной контроль теплового заряда с индикатором температуры в помещении и / или снаружи	Нет
Электронный контроль теплового заряда с индикатором температуры в помещении и / или снаружи	Нет
Теплопроизводительная способность вентилятора	Нет
<b>Тип теплоотдачи/контроль комнатной температуры</b>	
Одноступенчатая теплопроизводительность и отсутствие контроля комнатной температуры	Нет
Два или более положения, переключаемых в ручном режиме, без контроля комнатной температуры	Да
С механической регуляцией комнатной температуры	Нет
С электронным контролем комнатной температуры	Нет
Электронный контроль комнатной температуры, плюс дневной таймер	Нет
Электронный контроль комнатной температуры, плюс недельный таймер	Нет
<b>Другие опции управления</b>	
Контроль комнатной температуры, с датчиком обнаружения присутствия	Нет
Контроль комнатной температуры, с функцией обнаружения открытого окна	Нет
С возможностью дистанционного управления	Нет
С адаптивным управлением начала работы	Нет
С ограничением рабочего времени	Нет
С датчиком температуры излучения	Нет
Контактная информация: Engineering and Technology for Life, ООО, Пр. Barcelona, s/n, Oliana, 25790, Spain	

## Încălzitor de carbon BXCSH900E

### Stimate client,

Vă mulțumim pentru că ați cumpărat un produs marca BLACK+ DECKER.

Datorită tehnologiei sale, designului și modului de funcționare, precum și faptului că depășește cele mai stricte standarde de calitate, se poate garanta o utilizare complet satisfăcătoare și de lungă durată a produsului.

- ◆ Înainte de a porni aparatul, citiți cu atenție aceste instrucțiuni și păstrați-le pentru a le putea consulta în viitor. Nerespectarea acestor instrucțiuni poate provoca un accident.

## RECOMANDĂRI ȘI AVERTIZĂRI PRIVIND SIGURANȚA

- ◆ **ATENȚIE! Unele piese ale acestui produs se pot încălzi foarte tare și pot cauza arsuri. Trebuie acordată o atenție deosebită în prezența copiilor și a persoanelor vulnerabile.**
- ◆ Aparatul nu trebuie așezat sub o priză.
- ◆ Copiii mai mici de 3 ani trebuie să fie ținuți la distanță, în cazul în care nu sunt supravegheați în permanență.
- ◆ Copiii cu vârste cuprinse între 3 și 8 ani pot să pornească/oprească aparatul, numai dacă acesta a fost plasat sau instalat în poziția prevăzută de funcționare normală și cu condiția ca aceștia să fie supravegheați sau să primească instrucțiuni referitoare la utilizarea aparatului în mod sigur și să înțeleagă pericolele implicate.
- ◆ Acest aparat poate fi utilizat de către copiii cu vârsta de peste 8 ani, precum și de către persoanele ce au o capacitate fizică, senzorială sau mentală redusă sau fără experiență și cunoștințe, doar dacă aceștia sunt sub supraveghere sau au fost instruiți în legătură cu utilizarea aparatului în condiții de siguranță și înțeleg eventualele pericole.
- ◆ Curățarea și întreținerea nu trebuie efectuate de către copii fără supraveghere.
- ◆ Copiii cu vârste cuprinse între 3 și 8 ani nu trebuie să conecteze, să regleze și să curețe aparatul sau să realizeze operațiuni de întreținere.
- ◆ Acest aparat nu este o jucărie. Copiii trebuie supravegheați, pentru a vă asigura că nu se joacă cu aparatul.
- ◆ Nu utilizați aparatul în apropierea căzilor de baie, dușurilor sau piscinelor.
- ◆ **AVERTISMENT!** Acest aparat nu este echipat cu un dispozitiv pentru controlul temperaturii camerei. Nu utilizați aparatul în camere mici dacă acestea sunt ocupate de persoane care nu pot părăsi camera pe cont propriu, decât dacă este asigurată supravegherea constantă.
- ◆ În cazul în care conexiunea la rețeaua de alimentare a fost avariata, aceasta trebuie înlocuită, iar

aparatur trebuie dus la un service de asistență tehnică autorizat. Nu încercați să dezamblați sau să reparați aparatul pe cont propriu, pentru a evita pericolele.

- ◆ Acest aparat este destinat exclusiv uzului casnic, nu profesional sau industrial.



Acest simbol semnifică faptul că acest produs nu poate fi acoperit.

- ◆ **ATENȚIE!** Pentru a preveni supraîncălzirea, nu acoperiți aparatul.
- ◆ **AVERTISMENT:** Pentru a reduce riscul de incendiu, păstrați materialele textile, perdelele sau orice alt material inflamabil la o distanță minimă de 1 metru de ieșirea aerului.
- ◆ Nu utilizați aparatul dacă a fost scăpat.
  - ◆ Înainte de a brânza aparatul, verificați dacă tensiunea de pe plăcuța de identificare a aparatului corespunde celei de la rețeaua de alimentare.
  - ◆ Conectați aparatul la o priză de minim 10 amperi.
  - ◆ Ștecărul aparatului trebuie să intre corect în priză. Nu modificați ștecărul. Nu utilizați adaptoare pentru ștecăr.
  - ◆ Utilizați aparatul într-o zonă bine ventilată.
  - ◆ Dacă utilizați alte dispozitive pe gaz sau combustibil în același timp în încăperea în care utilizați aparatul, încăperea trebuie să fie bine ventilată.
  - ◆ Aparatur trebuie utilizat și amplasat pe o suprafață plană și stabilă.
  - ◆ Păstrați aparatul la distanță de materiale inflamabile, precum materiale textile, carton, hârtie etc.
  - ◆ Nu așezați materiale inflamabile lângă aparat.
  - ◆ Asigurați-vă că atât calea de acces a aerului cât și cea de ieșire nu sunt acoperite parțial sau în totalitate cu draperii sau materiale etc., întrucât acestea sporesc riscul de incendiu.

- ◆ Nu utilizați acest aparat împreună cu un programator, cronometru sau alt dispozitiv care îl pornește în mod automat.
- ◆ Nu utilizați aparatul dacă acesta are ștecărul sau cablul de alimentare deteriorat.
- ◆ Dacă una din părțile carcasei aparatului se rupe sau este deteriorată, deconectați imediat aparatul de la rețea, pentru a preveni posibilitatea unui șoc electric.
- ◆ **ATENȚIE!** Mențineți aparatul uscat.
- ◆ **ATENȚIE!** Nu utilizați aparatul în apropierea apei.
- ◆ Nu utilizați aparatul cu mâinile sau cu picioarele ude sau când nu purtați încălțăminte.
- ◆ Nu forțați cablul de alimentare. Nu utilizați niciodată cablul de alimentare pentru a ridica, transporta sau deconecta aparatul.
- ◆ Nu înfășurați cablul electric în jurul aparatului.
- ◆ Nu prindeți cu cleme și nu pliați cablul de alimentare.
- ◆ Nu lăsați cablul de alimentare să intre în contact cu suprafețele fierbinți ale aparatului.
- ◆ Păstrați aparatul la distanță de sursele de căldură, ulei, canturi ascuțite sau părți mobile.
- ◆ Verificați starea cablului de alimentare. Cablurile deteriorate sau încurcate măresc riscul de electrocutare.
- ◆ Cablul de alimentare trebuie examinat cu regularitate pentru semne de uzură, iar dacă acesta este deteriorat, aparatul nu trebuie utilizat.
- ◆ Nu utilizați și nici nu depozitați aparatul în exterior.
- ◆ Nu lăsați aparatul în ploaie sau expus la umezeală. În cazul în care se infiltrează apă în interiorul aparatului, riscul de electrocutare va crește.
- ◆ Nu atingeți ștecherul cu mâinile ude.
- ◆ Nu utilizați aparatul, în cazul persoanelor insensibile la căldură (deoarece aparatul are suprafețe încălzite).
- ◆ Nu atingeți părțile încălzite ale aparatului, deoarece ele vă pot produce arsuri grave.

### Utilizare și îngrijire:

- ◆ Desfășurați complet cablul de alimentare al aparatului înainte de fiecare utilizare.
- ◆ Nu utilizați aparatul dacă întrerupătorul pornit/oprit nu funcționează.
- ◆ Nu mișcați aparatul în timpul utilizării.
- ◆ Utilizați mânerul/mânerele aparatului pentru a-l apuca sau deplasa.
- ◆ Nu utilizați aparatul dacă este înclinat în sus și nu îl întoarceți.
- ◆ Nu răsturnați aparatul în timpul utilizării sau dacă este conectat la rețeaua de alimentare.
- ◆ Dacă utilizați aparatul în baie sau într-un loc asemănător, deconectați-l de la rețeaua de alimentare atunci când nu

este utilizat, chiar dacă este pentru scurt timp, deoarece apropierea de apă este riscantă, chiar dacă aparatul este deconectat.

- ◆ Deconectați aparatul de la rețeaua de alimentare atunci când nu îl utilizați și înainte de a-l curăța.
- ◆ Depozitați aparatul într-un loc care să nu fie la îndemâna copiilor și/sau a persoanelor cu capacități fizice, senzoriale sau mentale reduse, ori care nu au experiență sau cunoștințe necesare.
- ◆ Asigurați-vă că praful, impuritățile sau alte obiecte străine nu blochează grilajul ventilatorului de pe aparat.
- ◆ Nu lăsați niciodată aparatul nesupravegheat în timp ce este folosit.
- ◆ Nu lăsați niciodată aparatul conectat și nesupravegheat dacă nu este utilizat. Astfel se economisește energie și se prelungește durata de viață a aparatului.
- ◆ Nu utilizați aparatul pentru a usca animalele domestice sau sălbatice.
- ◆ Nu utilizați aparatul pentru a usca articole textile de niciun tip.
- ◆ ATENȚIE! Utilizatorul nu trebuie să adoarmă cu aparatul în funcțiune; există risc de accidentare.
- ◆ Răsuciți butonul termostatului la setarea minimă (MIN). Aceasta nu înseamnă că aparatul este oprit permanent.

### Service:

- ◆ Asigurați-vă că lucrările de întreținere ale aparatului sunt efectuate doar de personal calificat și că sunt utilizate doar piese de schimb și accesorii originale pentru înlocuirea pieselor/accesoriilor existente.
- ◆ ATENȚIE! Există risc de incendiu în cazul în care curățarea aparatului nu se realizează conform acestor instrucțiuni.
- ◆ Orice utilizare necorespunzătoare sau nerespectare a instrucțiunilor determină garanția și responsabilitățile producătorului să devină nule și neavenite.

## DESCRIERE

- A Butonul pornire/oprire
- B Cablu de alimentare
- C Funcția de oscilare
- D Mâner pentru transport

Dacă modelul aparatului dvs. nu conține accesorii descrise mai sus, acestea pot fi achiziționate și separat de la Service-ul de Asistență Tehnică.

## INSTRUCȚIUNI DE UTILIZARE

### Înainte de utilizare:

- ◆ Asigurați-vă că ați îndepărtat toate ambalajele produsului.
- ◆ Unele piese ale aparatului au fost lubrifiate ușor. În consecință, la prima utilizare a produsului poate este posibil să observați fum. După o perioadă scurtă de timp, fumul va dispărea.
- ◆ Pentru a elimina mirosul emis de aparat la prima utilizare, este recomandat să îl mențineți la putere maximă timp de 2 ore, într-o cameră bine aerisită.
- ◆ Pregătiți aparatul conform funcției pe care doriți să o folosiți.

### Utilizare:

- ◆ Desfășurați complet cablul înainte de a-l introduce în priză.
- ◆ Conectați aparatul la rețeaua de alimentare.
- ◆ Ghidați aparatul pentru a orienta fluxul de aer în direcția dorită.
- ◆ Porniți aparatul, folosind butonul de selecție (A).
- ◆ Selectați puterea dorită.

### Funcția radiatorului:

- ◆ Selectați puterea de încălzire dorită.

### Funcția de oscilare:

- ◆ Funcția de oscilare face posibilă direcționarea fluxului de la aparat astfel încât acesta să alterneze automat într-un domeniu de 75°.
- ◆ Pentru a activa această funcție, selectați opțiunea (C).

### După ce ați terminat de folosit aparatului:

- ◆ Opriți aparatul selectând poziția 0 cu butonul de selectare.
- ◆ Deconectați aparatul de la rețeaua de alimentare.
- ◆ Curățați aparatul.

### Mâner/e pentru transport:

- ◆ Acest aparat are un mâner în partea superioară, care facilitează transportul confortabil(D).

### Dispozitivul de siguranță antirăsturnare:

- ◆ Aparatul are un dispozitiv de siguranță anti-răsturnare care îl oprește dacă poziția de lucru nu este cea corectă.
- ◆

## CURĂȚARE

- ◆ Decuplați aparatul de la priză și lăsați-l să se răcească înaintea oricărei operații de curățare.
- ◆ Curățați aparatul cu o cârpă umedă și câteva picături de detergent lichid, apoi uscați-l.
- ◆ Nu utilizați solvenți sau produse cu pH acid sau bazic, precum înălbitori sau produse abrazive, pentru curățarea aparatului.
- ◆ Nu permiteți ca apa sau orice alt lichid să pătrundă în gurile de aerisire pentru a evita deteriorarea pieselor interne ale aparatului.
- ◆ Nu introduceți niciodată aparatul în apă sau în orice alt lichid și nici nu țineți aparatul sub jet de apă.
- ◆ Remarcă: Dacă utilizați aparatul după o perioadă lungă de timp de depozitare sau după ce acesta a fost utilizat numai pe post de ventilator, acesta poate produce o cantitate mică de fum. Acest lucru nu este important și este cauzat de radiatorul care arde depunerile de praf acumulate pe elementul de încălzire. Acest fenomen poate fi evitat prin curățarea prealabilă a interiorului aparatului prin grilaj, cu ajutorul unui aspirator sau cu aer presurizat.

## ANOMALII ȘI REPARAȚII

- ◆ Duceți aparatul la un service de asistență tehnică autorizat, dacă produsul este deteriorat sau apar alte probleme. Nu încercați să demontați sau să reparați singur aparatul, deoarece poate fi periculos.

### Pentru versiunile UE ale produsului și/sau în cazul în care este obligatoriu în țară dvs.:

#### Ecologia și reciclarea produsului

- ◆ Materialele din care este alcătuit ambalajul acestui produs sunt incluse într-un sistem de colectare, clasificare și reciclare. Dacă veți dori să le eliminați, utilizați pubelele publice corespunzătoare fiecărui tip de material.
- ◆ Produsul nu conține substanțe în concentrații care ar putea fi considerate dăunătoare pentru mediu.



Acest simbol înseamnă că, în cazul în care doriți să aruncați aparatul la încheierea duratei sale de funcționare, trebuie să îl duceți la un centru de colectare a deșeurilor autorizat, pentru colectarea selectivă a Deșeurilor provenite de la Echipamente Electrice și Electronice (DEEE).

Acest aparat respectă Directiva 2014/35/UE cu privire la echipamentele electrice destinate utilizării în cadrul unor anumite limite de tensiune, Directiva 2014/30/UE cu privire la compatibilitatea electromagnetică, Directiva 2011/65/UE privind restricțiile de utilizare a anumitor substanțe periculoase în echipamentele electrice și electronice, precum și Directiva 2009/125/CE de instituire a unui cadru pentru stabilirea cerințelor în materie de proiectare ecologică aplicabile produselor cu impact energetic.

#### GARANȚIE ȘI ASISTENȚĂ TEHNICĂ

- ◆ Acest produs beneficiază de recunoașterea și protecția garanției legale în conformitate cu legislația în vigoare. Pentru a vă exercita drepturile sau interesele, trebuie să vă adresați unuia dintre service-urile noastre oficiale de asistență tehnică.
- ◆ Puteți găsi cel mai apropiat serviciu de asistență tehnică accesând următorul link web: <http://www.2helpu.com/>.
- ◆ De asemenea, puteți solicita informații conexe, contactând-ne (consultați ultima pagină a manualului).
- ◆ Puteți descărca acest manual de instrucțiuni și actualizările sale la <http://www.2helpu.com/>.

## GARANȚIE ȘI ASISTENȚĂ TEHNICĂ

- ◆ Acest produs beneficiază de recunoașterea și protecția garanției legale în conformitate cu legislația în vigoare. Pentru a vă exercita drepturile sau interesele, trebuie să vă adresați unuia dintre service-urile noastre oficiale de asistență tehnică.
- ◆ Puteți găsi cel mai apropiat serviciu de asistență tehnică accesând următorul link web: <http://www.2helpu.com/>.
- ◆ De asemenea, puteți solicita informații conexe, contactând-ne (consultați ultima pagină a manualului).
- ◆ Puteți descărca acest manual de instrucțiuni și actualizările sale la <http://www.2helpu.com/>.

Următoarele informații, detalii și caracteristici sunt legate de proiectarea ecologică.

<b>Model: BXCSH900E</b>	
<b>Putere calorică</b>	
Putere calorică nominală P <sub>nom</sub>	0,9 kW
Putere calorică minimă (indicativ) P <sub>min</sub>	0,45 kW
Putere calorică maximă continuă P <sub>max</sub>	0,9 kW
<b>Consum auxiliar de electricitate</b>	
La putere calorică nominală el <sub>max</sub>	0,00 kW
La putere calorică minimă el <sub>min</sub>	0,00 kW
În mod așteptare el <sub>SB</sub>	0,00 kW
<b>Tipul de aport de căldură, numai pentru aparatele electrice pentru încălzire locală cu acumulator de căldură</b>	
Control manual al sarcinii termice, cu termostat integrat	Nu
Control manual al sarcinii termice, ca răspuns la temperatura camerei și/sau exterioară	Nu
Control electronic al sarcinii termice, ca răspuns la temperatura camerei și/sau exterioară	Nu
Putere termică comandată de ventilator	Nu
<b>Tip de putere calorică/comandă a temperaturii ambiante</b>	
Putere calorică într-o singură fază și nicio comandă a temperaturii ambiante	Nu
Două sau mai multe faze manuale, nicio comandă a temperaturii ambiante	Da
Cu comandă mecanică a temperaturii ambiante cu termostat	Nu
Cu comandă electronică a temperaturii ambiante	Nu
Comandă electronică a temperaturii ambiante plus temporizator de zi	Nu
Comandă electronică a temperaturii ambiante plus temporizator de săptămână	Nu
<b>Alte opțiuni de comandă</b>	
Comanda temperaturii ambiante, cu detectarea prezenței	Nu
Comanda temperaturii ambiante, cu detectarea ferestrei deschise	Nu
Cu opțiunea de comandă de la distanță	Nu
Cu comandă de pornire adaptabilă	Nu
Cu limitarea timpului de lucru	Nu
Cu senzor cu bulb negru	Nu
Detalii de contact Engineering and Technology for Life, S.L., Avda. Barcelona, s/n, Oliana, 25790, Spain	

## Въглероден нагревател BXCSH900E

### Уважаеми клиенти,

Благодарим Ви, че закупихте електроуред с марка-таBLACK+DECKER.

Технологията, дизайнът и функционалността на същия, както и фактът, че той надвишава най-стриктните норми за качество ще Ви донесат пълно и дълготрайно задоволство от него.

◆ Прочетете внимателно тази брошура, преди да пуснете уреда в действие. Запазете я за по-нататъшни справки. Несъобразяването с настоящите указания може да стане причина за произшествие.

## СЪВЕТИ И ПРЕДУПРЕЖДЕНИЯ ЗА БЕЗОПАСНОСТ.

- ◆ **ВНИМАНИЕ:** Някои части от това изделие могат силно да се загреят и да причинят изгаряния. Обръщайте специално внимание когато уреда е в близост до деца и хора в уязвимо състояние.
- ◆ Уредът не трябва да се поставя под електрически контакт.
- ◆ Дръжте уреда извън обсега на деца под 3 години, освен ако същите се намират под постоянно наблюдение.
- ◆ Деца между 3 и 8 годишна възраст могат единствено да включват/изключват уреда при условие, че е поставен или инсталиран в нормално положение за употреба. Децата следва да бъдат под надзор или да са били предупреждени за безопасното използване на уреда, а също и да осъзнават свързаните с него рискове.
- ◆ Уредът може да бъде използван от хора, неумеещи да боравят с този вид продукти, хора с физически увреждания или деца над 8 години, но само и единствено ако се намират под надзора на някой възрастен, или ако предварително им е обяснено как безопасно да използват уреда, а също и ако разбират наличните рискове.
- ◆ Уредът може да бъде почистван или поддръжката му да бъде извършвана от деца, единствено ако се намират под надзора възрастен човек.
- ◆ Не се допуска деца между 3 и 8 годишна възраст да включват, регулират или почистват уреда, както и да извършват неговата поддръжка.
- ◆ Този уред не е играчка. Наблюдавайте децата, така че да не си играят с уреда.
- ◆ Не използвайте уреда в близост до вани, душове и басейни.
- ◆ **ВНИМАНИЕ:** Уредът не съдържа устройство за контролиране на стайната температура. Не използвайте уреда в малки стаи в които има инвалиди и които не могат да излязат от помещението сами, освен ако не се намират под

постоянно наблюдение.

- ◆ В случаите на повреден захранващ кабел, същият следва да се подмени. В такива случаи, моля отнесете уреда в оторизиран сервис за техническо обслужване. С цел избягване на произшествия, моля не поправяйте и не разглобявайте уреда.
- ◆ Този уред е предназначен единствено за битови нужди, а не за професионална или промишлена употреба.



Този символ означава, че уредът не следва да се покрива.

- ◆ **ВНИМАНИЕ:** Не покривайте уреда, за да избегнете пренагряване.
- ◆ **ПРЕДУПРЕЖДЕНИЕ:** За да намалите риска от пожар, дръжте текстила, завесите или други запалими материали на разстояние най-малко 1 метър от изхода за въздух.
- ◆ Не използвайте уреда, ако е паднал.
- ◆ Преди да свържете уреда към мрежата, проверете, дали посоченото на табелката с техническите характеристики напрежение съвпада с напрежението на електрическата мрежа.
- ◆ Включете уреда в заземен източник на електрически ток, който да издържа най-малко 10 ампера.
- ◆ Щепселът на уреда следва да съвпада по вид с електрическия контакт. В никакъв случай не променяйте вида на щепсела. Не използвайте адаптори за щепсела.
- ◆ Използвайте уреда на добре проветрено място.
- ◆ В случай, че в помещението, където е поставен уредът е възможно да се използват и други уреди на газ или друго гориво, задължително е да се предвиди правилно проветрение за помещението.
- ◆ Уредът следва да се постави и използва върху равна и стабилна повърхност.
- ◆ Поставете уреда далеч от запалими материали като текстилни тъкани, картон, хартия и др.
- ◆ Не оставяйте лесно запалителни материали в близост до уреда.
- ◆ Избягвайте решетката на въздуха да бъде изцяло или частично покрита от мебели, пердетата, дрехи или др., тъй като съществува риск от пожар.
- ◆ Не използвайте уреда, ако е свързан с програматор, таймер или друго устройство за автоматично включване на уреда.
- ◆ Не използвайте уреда при повреден кабел или щепсел.
- ◆ Ако някоя външна част на уреда се повреди, незабавно го изключете от захранващата мрежа, за да предотвратите опасността от електроудар.
- ◆ **ВНИМАНИЕ:** Поддържайте уреда сух.
- ◆ **ВНИМАНИЕ!:** Не използвайте уреда в близост до вода.
- ◆ Не използвайте уреда в близост до вани, душеве и басейни.
- ◆ Не упражнявайте сила върху електрическия кабел. В никакъв случай не използвайте електрическия кабел за повдигане, пренасяне или изключване на апарата.
- ◆ Не навивайте електрическия кабел около уреда.
- ◆ Не допускайте притискане или прегъване на електрическия кабел.
- ◆ Не допускайте електрическият кабел да се допира до горещите повърхности на уреда.
- ◆ Не използвайте уреда в близост до източници на топлина или повърхности с остри ръбове.
- ◆ Проверявайте състоянието на захранващия кабел. Ако кабелът е повреден или заплетен, опасността от електрически удар нараства.
- ◆ Проверявайте периодично състоянието на захранващия кабел. Не използвайте уреда, ако забележите следи от повреди.
- ◆ Не използвайте и не съхранявайте уреда на открито.
- ◆ Не излагайте уреда на дъжд и влага. Водата, проникнала в уреда повишава риска от токов удар.
- ◆ Не докосвайте щепсела за включване в мрежата с мокри ръце.
- ◆ Моля, не използвайте уреда, ако сте нечувствителни към топлината, тъй като уредът има загрети повърхности.

- ◆ Моля, не пипайте загорелите части на уреда - това може да предизвика изгаряния.

### Употреба и поддръжка :

- ◆ Преди употреба развийте напълно охранващия кабел на уреда..
- ◆ Не използвайте уреда при повреден бутон за вкл./ изкл.
- ◆ Не движете уреда, докато работи.
- ◆ За да хванете или пренесете уреда, моля използвайте ръкохватките.
- ◆ Не използвайте уреда наклонен, нито обърнат.
- ◆ Не обръщайте уреда, докато работи или е включен в електрическата мрежа.
- ◆ Ако по начало използвате уреда в баня или други подобни помещения, изключвайте го от ел. контакт, когато не го използвате, макар и за кратко време, тъй като близостта до вода е опасна - дори и когато уредът е изключен.
- ◆ Изключете уреда, когато не го използвате, или когато се готвите да го почистите.
- ◆ Съхранявайте уреда далеч от достъпа на деца и/или хора с намалени физически, сензорни или умствени възможности, или от такива без опит и познания за боравене с него.
- ◆ Проверете дали вентилационните решетки не са запушени от прах, мръсотия или други предмети.
- ◆ Уредът следва винаги да се използва под надзор.
- ◆ В никакъв случай не оставяйте включения уред без наблюдение. По този начин ще спестите енергия и ще удължите живота на ел. уреда.
- ◆ Не използвайте уреда за подсушаване на домашни любимци или животни.
- ◆ Не използвайте уреда за подсушаване на какъвто и да е вид дрехи.
- ◆ ВНИМАНИЕ: Не допускате да заспите по време на употребата на уреда - това може да предизвика щети.
- ◆ Преместването на регулатора на термостата в минимално положение (MIN) не означава, че уредът е изключен.

### Обслужване на уреда:

- ◆ Уверете се, че поддръжката на уреда се извършва от специализирано лице, и винаги използвайте оригинални консумативи и резервни части.
- ◆ ВНИМАНИЕ!: Ако апаратът не се почиства съгласно указанията, възможно е да възникне пожар.
- ◆ Неправилното използване на уреда или неспазва-

нето на инструкциите за работа е опасно, анулира гаранцията и освобождава производителя от отговорност.

## ОПИСАНИЕ

- A Селектор на мощността
- B Захранващ кабел
- C Настройка "въртене"
- D Ръкохватки за пренасяне

В случай, че моделът уред, с който разполагате не притежава гореописаните приставки, можете да ги придобие отделно в сервизите за техническо обслужване.

## НАЧИН НА УПОТРЕБА

### Забележки преди употреба:х

- ◆ Уверете се, че изцяло сте отстранили опаковката на уреда.
- ◆ Някои части на уреда са леко смазани и затова е възможно уредът да започне слабо да дими, когато се включи за първи път. Скоро след това, димът ще изчезне.
- ◆ За да премахнете миризмата, отделяща се при първата употреба на уреда, препоръчва се да го поддържате включен на на максимална мощност в продължение 2 часа, в добре проветрено помещение.
- ◆ Подгответе уреда в зависимост от функцията, която желаете да осъществите:

### Употреба:

- ◆ Преди употреба развийте напълно охранващия кабел на уреда.
- ◆ Включете уреда в електрическата мрежа.
- ◆ Насочете уреда, за да ориентирате течението на въздуха в желаната от Вас посока.
- ◆ Задействайте уреда чрез бутона за избор на мощност(A).
- ◆ Изберете желаната от Вас мощност.

### Функция Печка:

- ◆ Изберете желаната мощност за отопление.

## Настройка „въртене“:

- ◆ Настройка „въртене“ Ви позволява да насочвате автоматично и алтернативно въздухопотока от уреда, в радиус от около 75°.
- ◆ За да изберете тази функция, изберете позиция(C).

## След приключване на работата с уреда:

- ◆ Спрете уреда, избирайки положение 0 от ключа за управление.
- ◆ Изключете уреда от електрическата мрежа.
- ◆ Почистете уреда.

## Ръкохватка/и за пренасяне:

- ◆ Този уред е снабден с дръжка в горната си част за лесно и удобно пренасяне(D).

## Устройство за сигурност против обръщане:

- ◆ Уредът разполага с устройство за сигурност против обръщане, което изключва уреда ако той не се намира в правилното положение за работа.

## ПОЧИСТВАНЕ

- ◆ Изключете уреда от захранващата мрежа и го оставете да се изстине, преди да започнете да го почиствате.
- ◆ Почистете уреда с влажна кърпа, напоена с няколко капки миеш препарат, след което го подсушете.
- ◆ За почистването на уреда не използвайте разтворители и препарати с киселинен или основен pH фактор, като белина и абразивни продукти.
- ◆ Не допускате проникването на вода през вентилационните отвори; в противен случай може да предизвикате повреда на работните части във вътрешността на уреда.
- ◆ Не потапяйте уреда във вода или друга течност и не го поставяйте под течаща вода.
- ◆ Бележка: Когато се включи уреда с функцията печка, след като е бил дълго време спрян или е работил само на функция „вентилатор“, възможно е в началото да отдели слаб пушек. Това няма никакви последици, тъй като изгарят прах и други частици насъбрани по отоплителната част на печката. Това явление може да бъде избегнато с предварителното почистване на вътрешността на уреда през отворите, с помощта на прахосмукачка или с въздушна струя под налягане.

## НЕИЗПРАВНОСТИ И РЕМОНТ

- ◆ В случай на неизправност, моля отнесете уреда в оторизиран сервис за техническо обслужване. Моля не се опитвайте да разглобявате уреда или пък да го поправяте - това е опасно.

## За разновидностите EU на това изделие и/или в случая, приложим за Вашата страна:

### Опазване на околната среда и рециклиране на изделието.

- ◆ Материалите, от които изработена опаковката на този електроуред са включени в системата за тяхното събиране, класифициране и рециклиране. Ако желаете да се освободите от тях, използвайте обществените контейнери, пригодени за всеки отделен вид материал.
- ◆ В изделието отсъстват концентрации на вещества, които могат да бъдат определени като вредни за околната среда.



Този символ означава, че ако желаете да се освободите от уреда след изтичане на експлоатационния му живот трябва да го предадете по подходящ начин на фирма за преработка на отпадъци, оторизирана за разделно събиране на относно отпадъци от електрическо и електронно оборудване (OEEO).

Настоящият уред изпълнява Директива 2014/35/ЕС за ниски напрежения, Директива 2014/30/ЕС за електромагнитно съответствие и с Директива 2011/65/ЕС за ограничението при употреба на някои определени опасни вещества в електрически и електронни апарати и с Директива 2009/125/СЕ за изискванията за екологичен дизайн, приложими към изделия, свързани с енергия.

## ГАРАНЦИЯ И ТЕХНИЧЕСКИ СЕРВИЗ

- ◆ Настоящият продукт има законна гаранция, в съответствие с действащото законодателство. За да упражните правата си на потребител следва да се насочите към някой от нашите оторизирани сервиси.
- ◆ Най-близкия до Вас сервис можете да откриете на следния линк: <http://www.2helpu.com/>
- ◆ Също така, можете да потърсите информация, свързвайки се с нас (вижте на последната страница на наръчника).
- ◆ Наръчника с указания и неговите осъвременявания можете да свалите на следния <http://www.2helpu.com/>.

Следната информация се отнася до характеристиките, свързани с екологичния дизайн:

<b>Модел: ВХСН900Е</b>	
<b>Топлинна мощност</b>	
Номинална топлинна мощност $P_{nom}$	0,9 kW
Минимална топлинна мощност (показателна) $P_{min}$	0,45 kW
Максимална продължителна топлинна мощност $P_{max}$	0,9 kW
<b>Помощно потребление на електроенергия</b>	
A номинална топлинна мощност $P_{max}$	0,00 kW
Минимална калориферна мощност $P_{min}$	0,00 kW
В режим на изчакване SB	0,00 kW
<b>Вид доставка на топлина, единствено за акумулаторни електроуреди за местно отопление.</b>	
Ръчен контрол на топлоподаването посредством вграден термостат.	Не
Ръчен контрол на топлоподаването с отговор на вътрешната или външната температура.	Не
Електронен контрол на топлоподаването с отговор на вътрешната или външната температура	Не
Топлинна мощност, подпомогната от вентилатори	Не
<b>Вид контрол на топлинната мощност/на вътрешната температура</b>	
Топлинна мощност от една степен, без контрол на вътрешната температура	Не
Две или повече степени, на ръка, без контрол на вътрешната температура.	Да
С контрол на вътрешната температура с механичен термостат.	Не
С електронен контрол на вътрешната температура	Не
Електронен контрол на вътрешната температура и дневен темпоризатор.	Не
Електронен контрол на вътрешната температура и седмичен темпоризатор.	Не
<b>Други контролни опции</b>	
Контрол на вътрешната температура с детектор на присъствие.	Не
Вътрешен температурен контрол със засичане на отворени прозорци.	Не
С възможност за дистанционен контрол	Не
С адаптиращ се контрол на задействане	Не
С ограничение във времето на работа	Не
Със сензор за черна лампа.	Не
Сведения за контакт: Engineering and Technology for Life, S.L., Avda. Barcelona, s/n, Olliana, 25790, Spain	

België/Belgique	Stanley Black & Decker Belgium BVBA Egide Walschaertsstraat 16 2800 Mechelen	www.blackanddecker.be enduser.BE@SBDinc.com Tel - NL. +32 15 47 37 65 Tel – FR. +32 15 47 37 66
Bulgaria	Stanley Black&Decker Polska Bucharest Branch Phoenicia Business Center Turturelelor Street, No 11A, 6th Floor,Module 15, 3rd District. Bucharest (Romania)	office.bucharest@sbdinc.com Tel. +4021.320.61.04.
Česká Republika	Stanley Black & Decker Czech Republic s.r.o. Chodov Tůrkova 2319/5b 149 00 Praha 4 Česká Republika	www.blackanddecker.cz recepcie@blackanddecker.cz Tel: 261 009 782
Danmark	Stanley Black & Decker Denmark Roskildevej 22 2620 Albertslund	www.blackanddecker.dk kundeservice.dk@sbdinc.com Tel. 70 20 15 10 Fax. 70 22 49 10
Deutschland	Stanley Black & Decker Deutschland GmbH Black & Decker Str. 40, D - 65510 Idstein	www.blackanddecker.de infobfge@sbdinc.com Tel. 06126 21-0 Fax 06126 21-2980
Ελλάδα	Black & Decker Ελλάς ΕΔΡΑ-ΓΡΑΦΕΙΑ : Στράβωνος 7 & Λ. Βουλιαγμένης. 166 74 Γλυφάδα - Αθήνα SERVICE : Ημερος Τόπος 2 (Χάνι Αδάμ) - 193 00 Ασπρόπυργος	www.blackanddecker.gr Greece.Service@sbdinc.com Τηλ: 00302108981616 Φαξ: 00302108983570
España	Engineering and Technology for Life Spain Avenida Barcelona s/n 25790 Oliana (Lleida)	www.blackanddecker.es service.spain@etforlife.com
France	Engineering and Technology for Life France 6 rue de l'Industrie Z.I des Sablons 89100 Sens	www.blackanddecker.fr service.france@etforlife.com
Helvetia	ROFO AG Gewerbezone Seeblick 3213 Kleinbösingen	www.blackanddecker.ch service@rofoag.ch Tel. 026 674 93 93 Fax 026 674 93 94
Hungary	Stanley Black & Decker Hungary Kft. Meszaros u. 58/B 1016 Budapest (Hungary)	www.blackanddecker.hu Tel: 1.6 225-1661 / 62
Italia	Stanley Black & Decker Italia Via Energypark 6 c/o Energypark Building 3 sud 20871 Vimercate (MB)	www.blackanddecker.it service.italia@blackanddecker.com Tel. 800-213935 Fax 039-9590313
Nederland	Stanley Black & Decker Netherlands BV Holtum Noordweg 35 6121 RE BORN Postbus 83. 6120 AB BORN	www.blackanddecker.nl enduser.NL@SBDinc.com Tel. +31 164 283 065 Fax +31 164 283 200
Norge	Stanley Black & Decker Norway AS Gullhaugveien 11, 0484 Oslo PB 4613, Nydalen, 0405 Oslo	www.blackanddecker.no kundeservice.no@sbdinc.com Tlf. 22 90 99 10 Fax 45 25 08 00

Österreich	Stanley Black & Decker Austria GmbH Oberlaaerstraße 248, A-1230 Wien	www.blackanddecker.at service.austria@sbdinc.com Tel. 01 66116-0 Fax 01 66116-614
Polska	Stanley Black & Decker Polska SP.z.o.o ul. Postepu 21D 02-676 Warszawa Polska	www.blackanddecker.pl reception.warsaw@sbdinc.com Tel: 22 4642700
Portugal	Engineering and Technology for Life Portugal Avenida Rainha D. Amélia, nº12-B 1600-677 Lisboa	www.blackanddecker.pt service.portugal@efforlife.com
Romania	Stanley Black&Decker Polska Bucharest Branch Phoenicia Business Center Turturelor Street, No 11A, 6th Floor,Module 15, 3rd District. Bucharest (Romania)	office.bucharest@sbdinc.com Tel. +4021.320.61.04.
Slovenija	G-M&M, proizvodnja in marketing, d.o.o. Brvace 11 1290 Grosuplje (Slovenija)	G-M&M, proizvodnja in marketing, d.o.o. Brvace 11 1290 Grosuplje (Slovenija)
Suomi	Stanley Black & Decker Finland Oy Kumpulantie 13B, 00520 Helsinki PL 47, 00521 Helsinki	www.blackanddecker.fi asiakaspalvelu.fi@sbdinc.com Puh. 010 400 43 33 Faksi 0800 411 340
Sverige	Stanley Black & Decker Sweden AB Flöjelbergsgatan 1c, 431 35 Mölndal Box 94, 431 22 Mölndal	www.blackanddecker.se kundservice.se@sbdinc.com Tel. 031-68 60 60 Fax 031-68 60 80
United Kingdom & Republic Of Ireland	"Black & Decker Slough, Berkshire SL1 3YD 210 Bath Road "	www.blackanddecker.co.uk emeaservice@sbdinc.com Tel. 01753 511234

ENGINEERING AND TECHNOLOGY FOR LIFE, S.L.  
Avda. Barcelona s/n  
Oliana, 25790, Spain